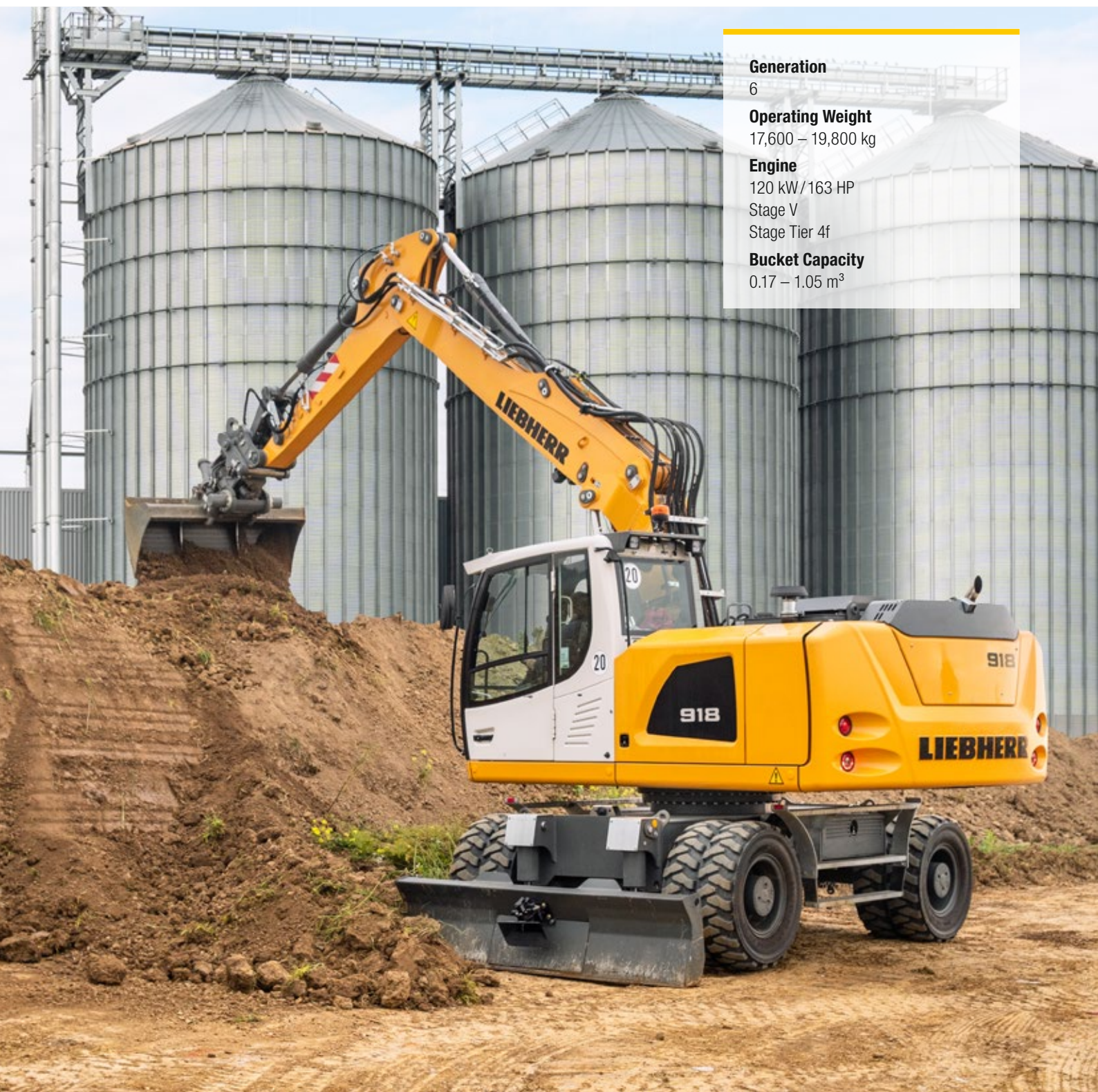


Wheeled Excavator

A 918

Litronic®



Generation

6

Operating Weight

17,600 – 19,800 kg

Engine

120 kW / 163 HP

Stage V

Stage Tier 4f

Bucket Capacity

0.17 – 1.05 m³

LIEBHERR

Performance

Durably Stable Power,
Strength and Precision

Economy

A Sound Investment – Optimum Economy
and Environmentally Friendly

Operating Weight

17,600 – 19,800 kg

Engine

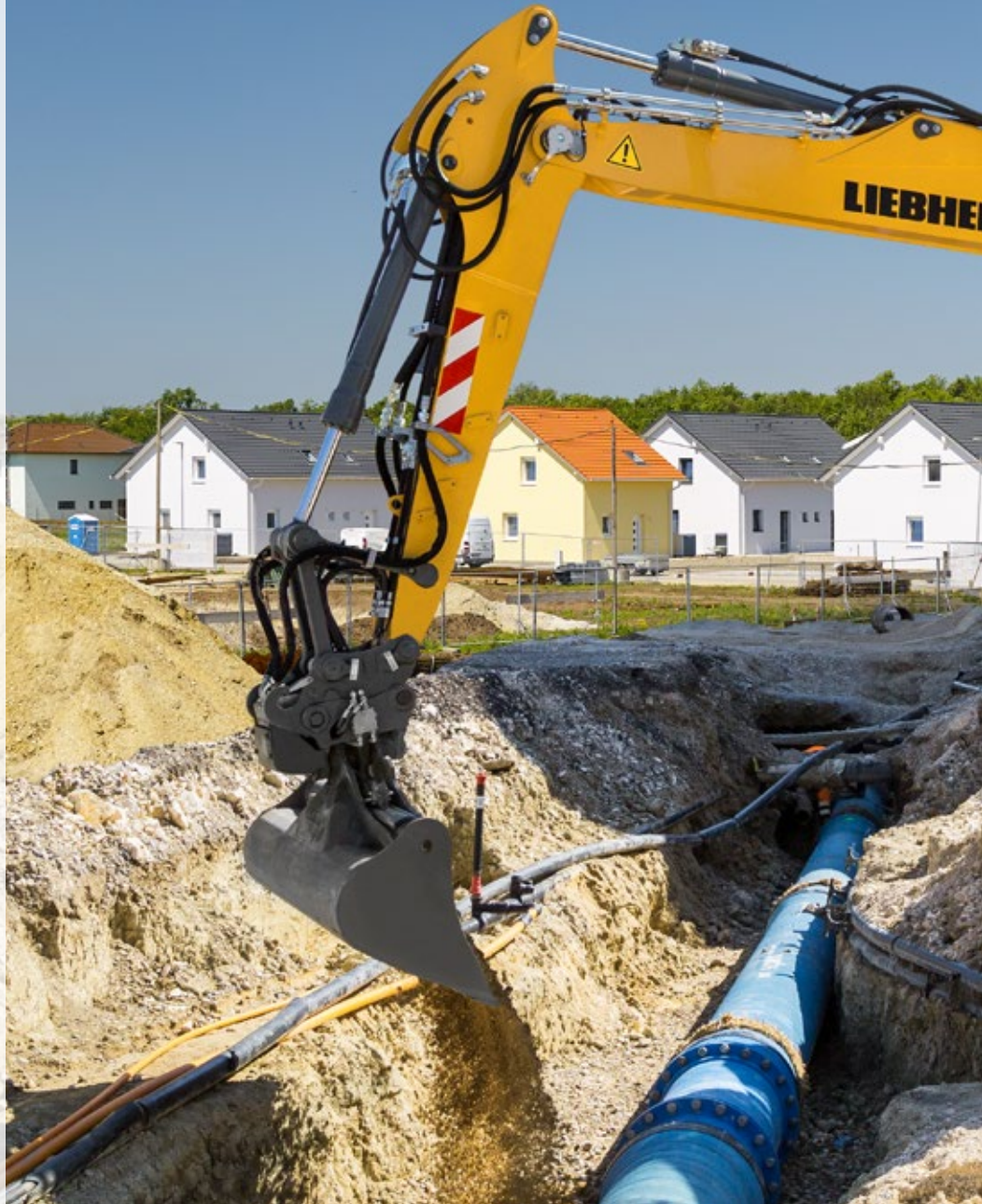
120 kW / 163 HP

Stage V

Stage Tier 4f

Bucket Capacity

0.17 – 1.05 m³



Reliability

Competence, Consistency, Innovation –
Proven Experience

Comfort

Ergonomic Excellence – Superior Cabin
Design for Operator Comfort and Wellbeing

Maintainability

Exceptional Service and
a Reliable Partnership



Performance



Durably Stable Power, Strength and Precision

Classic earthmoving, road construction, or drainage and pipeline works are performed effortlessly every day by Liebherr wheeled excavators. Their constant power, speed and precision contribute to the success of every construction site.

Maximum Performance

High Performance

The intelligent structure of the uppercarriage and separate mounting of the hoist cylinders permits a significant lift capacity. Close to the machine, the A 918 Litronic even exceeds the lift capacity level of the next higher machine category, which means it offers more performance reserves for those more demanding jobs.

Work Speed

The speed of the machine can be easily adapted to the different applications using the MODE switch. The wheeled excavator also permits a high work speed with overlapping equipment movements. Excavation, backfilling and profiling tasks can thus be completed quicker.

Liebherr Tyres

Increased stability when working is provided by the twin tyres without an intermediate ring and with offset cleats. The higher air pressure of the tyres also ensures that there are fewer vibrations of the machine when driving. Higher traction on soft ground and low ground pressure are achieved with the larger contact surfaces of the Liebherr tyres. The self-cleaning properties also avoid heavy contamination of the road, already after a few metres.



Precise Work

Working with Precision

The standard joysticks with proportional controls and also the extraordinary sensitivity of the hydraulic system enable precision work at high speeds and parallel movements. This means the machine operator can carry out the most challenging tasks in a short time, not only at reduced speed but also with maximum performance output from the machine.

Automatic Digging Brake

The automatic digging brake ensures that manual actuation of the brake pedal is no longer required, thus leading to easier operation of the machine. When the accelerator pedal is in a neutral position and the machine is stationary, the digging brake engages automatically. This results in faster work processes and enhanced safety for man and machine, particularly during operation with frequent relocation of the excavator. Furthermore, the automatic digging brake can be linked with the automatic swing axle lock. When the machine is deployed and working, the swing axle locks automatically and thereby provides optimum stability.

Travel Drive

- High traction for fast acceleration and powerful engine permit top speed on hills
- Reduces unproductive travel time between tasks and on the building site
- Faster on site – More productive

Digging Force

- High digging and breakout force in the field
- Continuously high digging performance even in tough ground
- More digging force for faster results

Joystick Steering

- The optional joystick steering function enables the operator to steer the wheeled excavator using the mini-joystick
- Working and travelling movements can be executed simultaneously without having to move hands
- More efficient operation for greater productivity

Economy



A Sound Investment – Optimum Economy and Environmentally Friendly

Low fuel consumption and reduced emissions with consistent performance maximise productivity. The efficiency of the wheeled excavator can be further increased by using a Liebherr productive bucket, fuel-saving Liebherr hydraulic oil or a Liebherr quick coupler system.

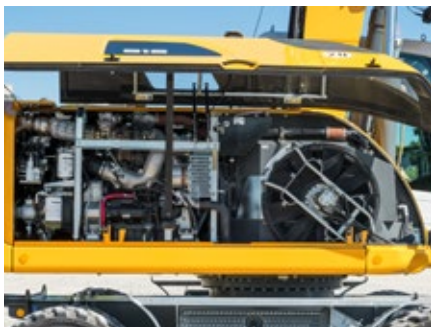
Maximum Efficiency

Fuel Efficiency and Exhaust Emissions Treatment

The robust D924 diesel engine complies with the stringent emissions regulations of Stage V/Tier 4f and protects the environment as well as its resources through its low fuel consumption and reduced emissions. Liebherr uses SCR-only technology to reduce emissions to ensure compliance with Stage Tier 4 final. A new SCR (selective catalytic reduction) system with an integral particulate filter is used for emissions stage V. Both systems reduce emissions effectively and do not result in any reduction in power.

Engine Idling and Engine Shut-down

The standard automatic idling function reduces the engine speed to idle as soon as the operator takes his hand from the joystick so that no hydraulic function is activated. Proximity sensors in the joystick levers restore the original engine speed as soon as the operator's hand is moved towards the lever again. This ensures that the set engine speed is available immediately. The result is a combination of fuel saving and reduced noise levels. Operating costs can be reduced even further with the optional automatic engine shut-down function.



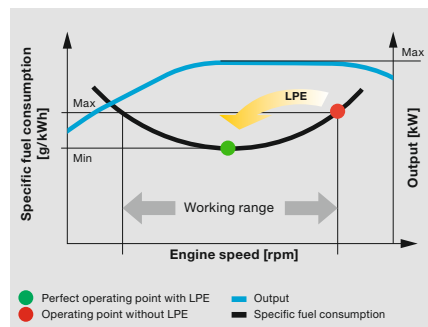
Increased Productivity

Liebherr Attachments and LIKUFIX

To boost the productivity of its construction machines, Liebherr offers a broad range of attachments for different fields of application. Furthermore, the hydraulic excavators can also be equipped with the Liebherr LIKUFIX hydraulic quick coupling system. The combination of a hydraulic Liebherr quick coupling system with the LIKUFIX coupling block permits fast safe changing of mechanical and hydraulic attachments from the operator's cabin. This boosts productivity on average by 30%.

Efficient Management

LiDAT, Liebherr's own data transmission and positioning system, facilitates efficient management, monitoring and control of the entire fleet in terms of machinery data recording, data analysis, fleet management and service. All of the important machinery data can be viewed at any time on a web browser. LiDAT provides you comprehensive work deployment documentation, greater availability thanks to shorter downtimes, faster support from the manufacturer, quicker detection of strain/overload and subsequently a longer service life of the machine as well as greater planning efficiency.



Low: Emissions and Operating Costs

- Innovative exhaust emissions treatment system for compliance with emissions standard V/Stage Tier 4f
- Lower emissions – Lower operating costs – Economic environmental protection

Low Fuel Consumption Thanks to Intelligent Machine Control

- Liebherr-Power Efficiency (LPE) optimises the interaction of the drive components in terms of efficiency
- LPE enables machine operation in the area of the lowest specific fuel use for less consumption and greater efficiency with the same performance

Liebherr Quick Coupling System LIKUFIX

- Faster and safer changing of mechanical and hydraulic attachments from the operator's cabin
- Machine utilization increased to up to 90% thanks to extended deployment options
- Visual and acoustic check of correct locking position of tool at quick coupling system by two proximity sensors

Reliability



Competence, Consistency, Innovation – Proven Experience

Reliability offers safety. Safety that significantly influences the success of a project. Whatever the weather, Liebherr stands for safety – with reliable construction machines and customer-oriented sales and service partners. This means a Liebherr construction machine is exactly what it should be: an investment that pays off.

More Safety

Electronic Height Limit

For applications with protruding or overhanging components in the working area, the compact wheeled excavators can be optionally equipped with an electronic height limit. The maximum permissible working height can be freely selected and stops the movement of the equipment when the set working height is reached. This helps avoid damage to the machine and its environment.

Pipe Fracture Safety Valves

The standard pipe fracture safety valves on the stick and hoist cylinders prevent the equipment from dropping in an unregulated way and ensure maximum safety during every operation.

High Machine Availability

Quality and Competence

Our product experience, our understanding of technical design and feedback from customers, sales and service form the basis for the use of pioneering ideas and have always been an integral part of our recipe for success. Key components such as electronic components, slewing ring, slewing drive and hydraulic cylinders are developed and manufactured in-house. Our great production depth guarantees the highest possible quality and allows the components to be coordinated perfectly.

Robust Design

All steel components are designed and manufactured by Liebherr itself. High-strength steel plates configured for the toughest of requirements result in high torsional stiffness and optimum absorption of forces induced for a longer service life.



QPDM – Quality and Process Data Management

- QPDM allows production data to be logged, documented and evaluated
- Automation of documentation and test specifications
- Ability to handle large quantities and maintain uniform high quality

More Rear Visibility – also at the Side

- The standard camera for rear-view and lateral monitoring gives the driver an optimal view of his working area and the surrounding machine area at all times
- Extensive glazing in combination with two standard monitoring cameras ensure safe handling of the machine at all times

Bright, Longlife Lighting

- The LED rear lights fitted as standard not only look good, they also have a high brightness level and an extremely long service life
- The LED front outline marker fitted as standard make it easier to see the machine on the road, and thus provides greater safety

Comfort



Ergonomic Excellence – Superior Cabin Design for Operator Comfort and Wellbeing

The modern Liebherr cab with a standard air-suspension heated driver's seat and automatic air-conditioning ensures a pleasant atmosphere, thus offering the best conditions for healthy and productive work whilst allowing the driver to work with full concentration. The ergonomic control elements with touchscreen display also simplify the operation of the wheeled excavator. The extensive safety equipment includes the rollover protection system (ROPS) for the cab fitted as standard according to ISO 12117-2.

First-class Cab

Automatic Air Conditioning

The automatic air conditioning offers convincingly intuitive operation. Temperature, blower setting and the various air nozzles in the head, chest and foot areas are set using the touch screen display. The defrost/defog one-button function clears fogged up windows in the shortest possible time. The filter for the cab air can be changed easily and conveniently from the outside.

Radio with Hands-free Device

The optional Liebherr radio is MP3-compatible, has a USB connection and can be used as interface for the integral hands-free kit. If the machine operator connects his smartphone to the radio using Bluetooth, the touchscreen can be used to control phone calls. This means that all media, including the radio, MP3 or phone calls, are controlled using a central unit which provides greater clarity, simplicity and comfort.

Smooth Operation

The use of visco-elastic mounts, good noise insulation and modern, smooth Liebherr diesel engines minimise noise emissions and vibrations.

Comfortable Operation

Joystick with Proportional Control

The 4-way mini-joysticks permit the operation of the support jib, the tool attachment/implement, as well as the steering of the machine, without manual intervention. There are two buttons and a rocker switch installed on each joystick. They also increase the number of functions. The slim, ergonomic design rounds off the operating concept.

Control Unit

The large touchscreen provides the operator with a fast, uncomplicated interface which delivers all the information required for working with the machine. A flat, intuitive menu system ensures that it can be readily understood so that the control unit can be used in a highly productive way.

Detailed Solutions

Numerous details provide greater comfort and efficiency. For example, there is a choice of two different steering wheel versions: The thin steering wheel is recommended for regular civil engineering works as it affords better visibility of the working area. Also, the stabiliser blade does not have any lubrication points and is maintenance-free. No need for time-consuming lubrication.



Refuelling

- Using the optional refuelling pump, the machine can be refuelled directly from a fuel container
- Remote cable operation and automatic shut off when the tank is full, for greater convenience and shorter refuelling times
- Topping up – simple, quick and safe

Operator's Seat with Adjustable Armrests

- Greater seating comfort due to variable damper hardness, lockable horizontal suspension, pneumatic lumbar support, seat heating and passive seat air conditioning for concentrated working
- Individual adjustment options for armrests, seat cushion depth, seat angle and head restraint for comfortable working

Intuitive Operation

- Display of the machine data and camera image on the 7-inch indicating unit with touch screen and direct access via menu bar
- 20 user-programmable memory slots for attachments, which can be used for quickly and easily setting the oil pressure and oil flow at the push of a button when changing tools
- Quick access keys can be programmed by the machine operator for frequently used menu items

Maintainability



Exceptional Service and a Reliable Partnership

Liebherr compact wheeled excavators are not only powerful, robust, precise and efficient, they also impress with the service-orientated machine design. Maintenance is performed quickly, simply and safely. This reduces maintenance costs and keeps machine downtimes to a minimum.

Simplified Maintenance Concept

Service-based Machine Design

The service-based machine design guarantees short servicing times, thus minimising maintenance costs due to the time it saves. All the maintenance points are easily accessible from the ground and easy to reach due to the large, wide-opening service doors. The enhanced service concept places the maintenance points close to each other and reduces their number to a minimum. This means that service work can be completed even more quickly and efficiently.

Hydraulic Oils with Added Value

Liebherr hydraulic oils achieve a service life of 6,000 operating hours plus. Instead of having defined change intervals, the results of the oil analysis (every 1,000 operating hours or after one year) determine when the oil needs to be changed. The unique Liebherr Hydraulic Plus oil can even achieve a service life of 8,000 operating hours plus at the same time as reducing fuel consumption by up to 5%. Another reason for the long change intervals is also the comparatively large hydraulic tank capacity. Which enables a long oil settling time. Enclosed air molecules can escape upwards and are not sucked in again. This not only protects the hydraulic oil, it also extends the service life of pumps, valves and hydraulic lines.

Your Competent Service Partner

Remanufacturing

The Liebherr remanufacturing program offers cost-effective reconditioning of components to the highest quality standards. Various reconditioning levels are available including replacement components and general overhaul or repair. The customer receives components with original part quality at a reduced cost.

Competent Advice and Service

Competent advice is a given at Liebherr. Experienced specialist provide advice for your specific requirements: application-oriented sales support, service agreements, cost effective repair alternatives, original parts management, as well as remote data transmission for machine planning and fleet management.



Lubrication During Operation

- Fully automatic central lubrication system for the equipment and swing ring
- Can be optionally expanded to the connecting link and quick coupler
- Lubrication without interrupting work for higher productivity

Optimum Service Access

- Large, wide-opening and automatically locking service doors
- Engine oil, fuel, air and cab air filter can be reached conveniently and safely from ground level
- The oil level in the hydraulic tank can be checked from the cab
- Short service times for greater productivity

Rapid Spare Parts Service

- 24-hour delivery: Spare parts service is available for our dealers around the clock
- Electronic spare parts catalogue: Fast and reliable selection and ordering via the Liebherr online portal
- With online tracking, the current processing status of your order can be viewed at any time

Wheeled Excavator A 918 Litronic

Overview

Clever Technology for Maximum Performance and Economy

- Liebherr diesel engine compliant with stage V/ stage Tier 4f
- Emissions treatment with Liebherr-SCRT technology (Stage V)/Liebherr-SCR technology (Stage Tier 4f)
- Load-sensing-control
- Liebherr-Power-Efficiency (LPE)
- MODE selection (Sensitive, ECO, Power, Power-Plus)
- Sensor-controlled automatic idling system
- Close-mesh protective grid in front of cooler intake

Simplified Maintenance Concept for Maximum Productivity

- Fully automatic central lubrication system for uppercarriage and equipment
- Large, wide-opening service doors
- Central maintenance points accessible from the ground
- Hydraulic shut-off lock
- Liebherr hydraulic oil biologically degradable (optional)
- Cab air filter can be replaced quickly and conveniently from outside
- Storage compartment left – lockable
- Extended tool equipment (optional)





Ergonomic Operator's Work Station for Maximum Comfort

- Operator's seat Comfort/Premium (optional)
- Automatic air-conditioning system
- 7" colour touchscreen display
- Direct access keys
- Adjustable armrests
- Resonant, ergonomic joysticks
- Joystick steering (optional)
- Proportional control with 4-way mini-joystick
- Large windows
- Convenient radio operation with hands-free device
- Tool Control for attachments
- Front guard, adjustable (optional)
- LED lights (optional)
- Rear and side camera monitoring

Superbly Designed Equipment for Maximum Reliability

- Various boom versions and stick lengths
- Liebherr hydraulic cylinders
- Pipe fracture safety valves hoisting and stick cylinders
- Overload warning device
- Load holding valve on stabilization cylinder
- Electronic lift limitation (optional)
- Liebherr quick coupling systems (optional)
- Wide selection of Liebherr attachments (optional)

Technical Data



Diesel Engine

Rating per ISO 9249	120 kW (163 HP) at 1,800 RPM
Model	D924 – FPT motor designed for Liebherr
Type	4 cylinder in-line
Bore/Stroke	104/ 132 mm
Displacement	4.5 l
Engine operation	4-stroke diesel Common-Rail turbo-charged and after-cooled reduced emissions
Air cleaner	dry-type air cleaner with pre-cleaner, primary and safety elements
Engine idling	sensor controlled
Electrical system	
Voltage	24 V
Batteries	2 x 135 Ah/ 12 V
Alternator	three-phase current 28 V/ 140 A
Stage V	
Harmful emissions values	according to regulation (EU) 2016/1628
Emission control	Liebherr-SCRT technology
Fuel tank	369 l
Urea tank	46 l
Stage Tier 4f	
Harmful emissions values	in accordance with EPA/CARB-40CFR stage Tier 4f
Emission control	Liebherr-SCR technology
Option	Liebherr particle filter
Fuel tank	369 l
Urea tank	46 l



Cooling System

Diesel engine	water-cooled compact cooling system consisting cooling unit for water, hydraulic oil and charge air with stepless thermostatically controlled fan, fans for radiator cleaning can be completely folded away
----------------------	--



Hydraulic Controls

Power distribution	via control valves with integrated safety valves, simultaneous and independent actuation of chassis, swing drive and equipment
Servo circuit	
Equipment and swing	with hydraulic pilot control and proportional joystick levers
Chassis	electroproportional via foot pedal
Additional functions	via switch or electroproportional foot pedals
Proportional control	proportionally acting transmitters on the joysticks for additional hydraulic functions



Hydraulic System

Hydraulic pump	for equipment and travel drive	Liebherr axial piston variable displacement pump
Max. flow		300 l/min.
Max. pressure		350 bar
Hydraulic pump regulation and control		Liebherr-Synchron-Comfort-system (LSC) with electronic engine speed sensing regulation, pressure and flow compensation, torque controlled swing drive priority
Hydraulic tank		155 l
Hydraulic system		max. 350 l
Hydraulic oil filter		1 main return filter with integrated partial micro filtration (5 µm)
MODE selection		adjustment of engine and hydraulic performance via a mode pre-selector to match application, e.g. for especially economical and environmentally friendly operation or for maximum digging performance and heavy-duty jobs
S (Sensitive)		mode for precision work and lifting through very sensitive movements
E (Eco)		mode for especially economical and environmentally friendly operation
P (Power)		mode for high performance with low fuel consumption
P+ (Power-Plus)		mode for highest performance and for very heavy duty applications, suitable for continuous operation
Engine speed and performance setting		stepless alignment of engine output and hydraulic power via engine speed
Option		Tool Control: 20 preadjustable pump flows and pressures for add-on attachments



Swing Drive

Drive	Liebherr axial piston motor with integrated brake valve and torque control, Liebherr planetary reduction gear
Swing ring	Liebherr, sealed race ball bearing swing ring, internal teeth
Swing speed	0 – 10,0 RPM stepless
Swing torque	54 kNm
Holding brake	wet multi-disc (spring applied, pressure released)
Option	pedal controlled positioning swing brake slewing gear brake Comfort



Operator's Cab

Cab	ROPS safety cab structure (roll-over protection system) with individual windscreens or featuring a slide-in subpart under the ceiling, work headlights integrated in the ceiling, a door with a sliding window (can be opened on both sides), large stowing and depositing possibilities, shock-absorbing suspension, sounddamping insulating, tinted laminated safety glass, separate window shades for the sunroof window and windscreen
Operator's seat Standard	air cushioned operator's seat with 3D-adjustable armrests, headrest, lap belt, seat heater, manual weight adjustment, adjustable seat cushion inclination and length and mechanical lumbar vertebrae support
Operator's seat Comfort (Option)	in addition to operator's seat standard: lockable horizontal suspension, automatic weight adjustment, adjustable suspension stiffness, pneumatic lumbar vertebrae support and passive seat climatisation with active coal
Operator's seat Premium (Option)	in addition to operator's seat comfort: active electronic weight adjustment (automatic re-adjustment), pneumatic low frequency suspension and active seat climatisation with active coal and ventilator
Control system	joysticks with control consoles and swivel seat, folding left control console
Operation and displays	large high-resolution operating unit, self-explanatory, colour display with touchscreen, video-compatible, numerous setting, control and monitoring options, e.g. air conditioning control, fuel consumption, machine and attachment parameters
Air-conditioning	automatic air-conditioning, recirculated air function, fast de-icing and demisting at the press of a button, air vents can be operated via a menu; recirculated air and fresh air filters can be easily replaced and are accessible from the outside; heating-cooling unit, designed for extreme outside temperatures, sensors for solar radiation, inside and outside temperatures (country-dependent)
Refrigerant	R134a
Global warming potential	1,430
Quantity at 25 °C	1,300 g
CO ₂ equivalent	1.859 t
Vibration emission*	
Hand/arm vibrations	< 2.5 m/s ²
Whole-body vibrations	< 0.5 m/s ²
Measuring inaccuracy	according with standard EN 12096:1997



Undercarriage

Drive	oversized two speed power shift transmission with additional creeper speed, Liebherr axial piston motor with functional brake valve on both sides
Pulling force	127 kN
Travel speed	0 – 3.5 km/h stepless (creeper speed off-road) 0 – 7.0 km/h stepless (off-road) 0 – 13.0 km/h stepless (creeper speed on-road) 0 – 20.0 km/h stepless (road travel) 0 – max. 37.0 km/h Speeder (Option)
Driving operation	automotive driving using accelerator pedal, cruise control function: storage of variable accelerator pedal positions, both off-road and on-road
Axes	manual or automatic hydraulically controlled front axle oscillation lock
Service brake	two circuit travel brake system with accumulator; wet and backlash-free disc brake
Automatic digging brake	works automatically when driving off (accelerator pedal actuation) and when the machine is stationary (engagement); the digging brake engages automatically – can be coupled with automatic swing axle lock
Holding brake	wet multi-disc (spring applied, pressure released)
Stabilization	rear stabilizer blade (adjustable during travel for dozing) rear stabilizer blade + front outriggers rear outriggers + front stabilizer blade rear + front outriggers
Option	EW-undercarriage 2.75 m/9'



Equipment

Type	high-strength steel plates at high-stressed points for the toughest requirements. Complex and stable mountings of equipment and cylinders
Hydraulic cylinders	Liebherr cylinders with special sealing and guide system and, depending on cylinder type, shock absorption
Bearings	sealed, low maintenance

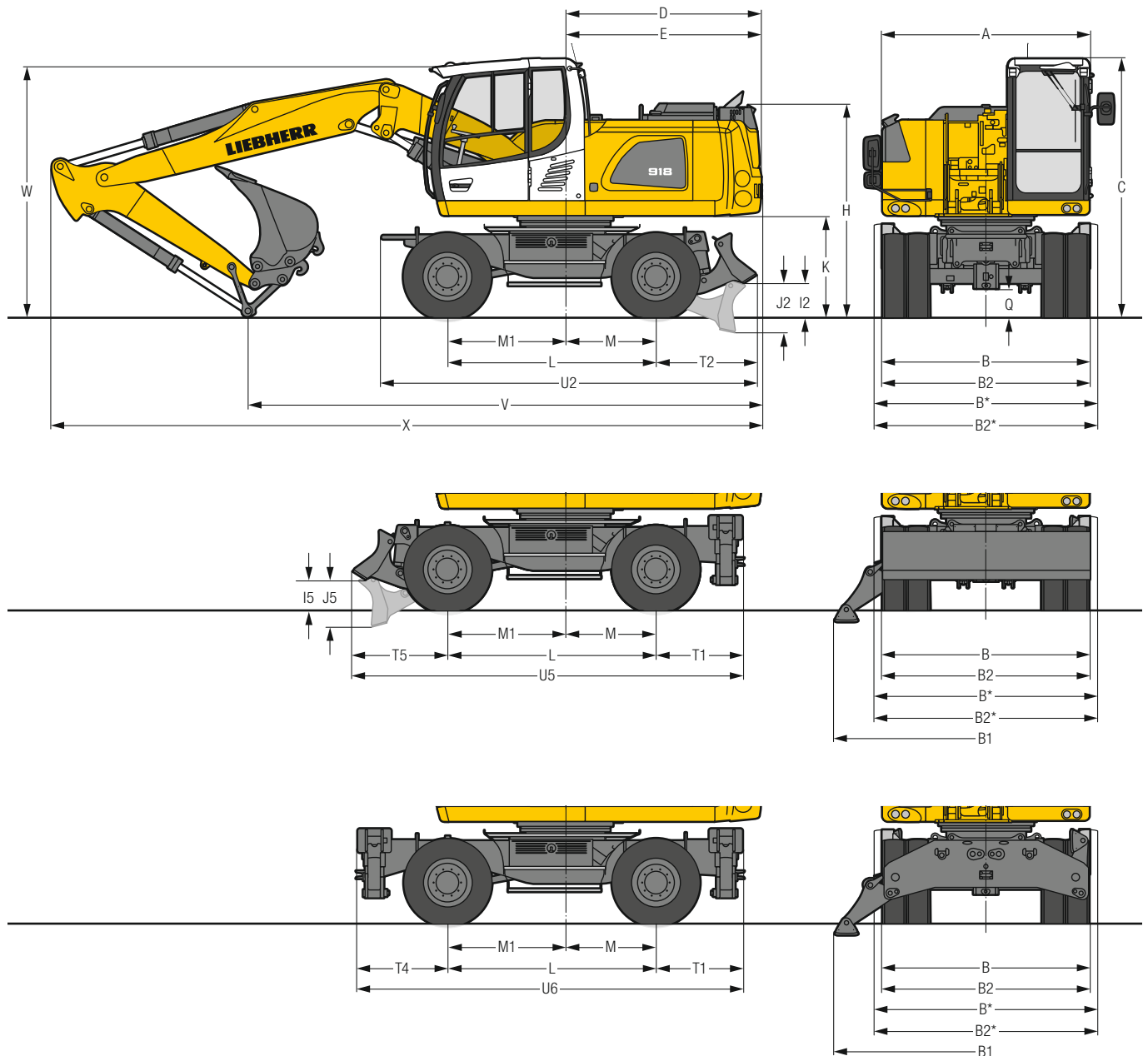


Complete Machine

Lubrication	Liebherr central lubrication system for upper-carriage and equipment, automatically
Noise emission	
ISO 6396	L _{PA} (inside cab) = 71 dB(A)
2000/14/EC	L _{WA} (surround noise) = 101 dB(A)

* for risk assessment according to 2002/44/EC see ISO/TR 25398:2006

Dimensions



	mm
A	2,525
B	2,550
B*	2,750
B1	3,695
B2	2,550
B2*	2,750
C	3,160
D	2,380
E	2,380
H	2,610
I2	420
I5	380
J2	605
J5	585
K	1,230
L	2,540
M	1,100
M1	1,440
Q	350
T1	1,047
T2	1,230
T4	1,097
T5	1,155
U2	4,575
U5	4,745
U6	4,685

* EW-Undercarriage

E = Tail radius

Tyres 10.00-20

Stick	Two-piece boom 5.25 m			Mono boom 5.30 m		
	Rear blade	Rear outriggers + front blade	Rear + front outriggers	Rear blade	Rear outriggers + front blade	Rear + front outriggers
	m	mm	mm	mm	mm	mm
V	2.05	6,650	6,650	6,650	6,500	6,500
	2.25	6,350	6,350	6,350	6,100	6,100
	2.45	6,000	6,000	6,000	5,800	5,800
W	2.65	5,900	5,900	5,900	5,650	5,650
	2.05	3,100	3,100	3,100	3,250	3,250
	2.25	3,100	3,100	3,100	3,250	3,250
X	2.45	3,050	3,050	3,050	3,200	3,200
	2.65	3,150	3,150	3,150	3,250	3,250
	2.05	8,700	8,700	8,700	8,750	8,750
X	2.25	8,650	8,650	8,650	8,750	8,750
	2.45	8,650	8,650	8,650	8,700	8,700
	2.65	8,650	8,650	8,650	8,750	8,750

Stick	Offset two-piece boom 5.00 m		
	Rear blade	Rear outriggers + front blade	Rear + front outriggers
	m	mm	mm
V	2.05	7,000	7,000
	2.25	6,650	6,650
	2.45	6,100	6,100
W	2.65	5,750	5,950*
	2.05	3,250	3,250
	2.25	3,250	3,250
X	2.45	3,200	3,200
	2.65	3,200	3,200*
	2.05	8,500	8,500
X	2.25	8,400	8,400
	2.45	8,400	8,400
	2.65	8,450	8,600*

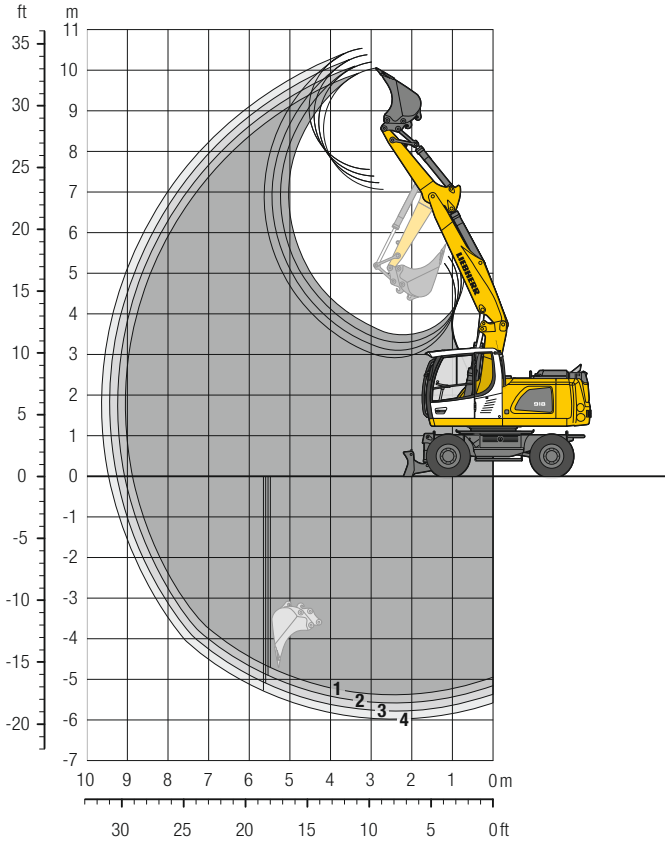
Dimensions are with equipment over steering axle

* Equipment over digging axle for shorter transport dimensions

W = Max. ground clearance including approx. 150 mm piping

Backhoe Bucket

with Two-Piece Boom 5.25 m



Digging Envelope

with quick coupler		1	2	3	4
Stick length	m	2.05	2.25	2.45	2.65
Max. digging depth	m	5.40	5.60	5.80	6.00
Max. reach at ground level	m	8.90	9.10	9.30	9.50
Max. dumping height	m	7.05	7.25	7.40	7.55
Max. teeth height	m	10.05	10.25	10.40	10.55
Min. equipment radius	m	2.64	2.71	2.78	2.85

Digging Forces

without quick coupler		1	2	3	4
Max. digging force (ISO 6015)	kN	87.2	81.3	76.3	71.8
	t	8.9	8.3	7.8	7.3
Max. breakout force (ISO 6015)	kN	99.4	99.4	99.4	99.4
	t	10.1	10.1	10.1	10.1

Max. breakout force with ripper bucket

125.7 kN (12.8 t)

Operating Weight

The operating weight includes the basic machine with 8 tyres plus intermediate rings, two-piece boom 5.25 m, stick 2.45 m, quick coupler SWA 33 and bucket 1,050 mm / 0.80 m³.

Undercarriage versions	Weight (kg)
A 918 Litronic with rear blade	17,600
A 918 Litronic with rear outriggers + front blade	18,500
A 918 Litronic with rear + front outriggers	18,700
A 918 EW Litronic with rear blade	17,700
A 918 EW Litronic with rear outriggers + front blade	18,600

Buckets Machine stability per ISO 10567* (75% of tipping capacity)

Cutting width mm	Capacity ISO 7451 ¹⁾ m ³	Weight kg	Stabilizers raised				Rear blade down				Rear outriggers + front blade down				Rear + front outriggers down				EW Stabilizers raised				EW Rear blade down				EW Rear outriggers + front blade down			
			Stick length (m)				Stick length (m)				Stick length (m)				Stick length (m)				Stick length (m)				Stick length (m)							
			2.05	2.25	2.45	2.65	2.05	2.25	2.45	2.65	2.05	2.25	2.45	2.65	2.05	2.25	2.45	2.65	2.05	2.25	2.45	2.65	2.05	2.25	2.45	2.65	2.05	2.25	2.45	2.65
500 ²⁾	0.30	290	■	■	■	■	■	■	■	■	■	■	■	■	■	■	■	■	■	■	■	■	■	■	■	■	■	■	■	■
650 ²⁾	0.42	350	■	■	■	■	■	■	■	■	■	■	■	■	■	■	■	■	■	■	■	■	■	■	■	■	■	■	■	■
850 ²⁾	0.60	400	■	■	■	■	■	■	■	■	■	■	■	■	■	■	■	■	■	■	■	■	■	■	■	■	■	■	■	■
1,050 ²⁾	0.80	480	■	■	■	■	■	■	■	■	■	■	■	■	■	■	■	■	■	■	■	■	■	■	■	■	■	■	■	■
1,250 ²⁾	0.95	530	■	△	△	△	■	■	■	■	■	■	■	■	■	■	■	■	■	■	■	■	■	■	■	■	■	■	■	■
500 ³⁾	0.30	320	■	■	■	■	■	■	■	■	■	■	■	■	■	■	■	■	■	■	■	■	■	■	■	■	■	■	■	■
650 ³⁾	0.42	380	■	■	■	■	■	■	■	■	■	■	■	■	■	■	■	■	■	■	■	■	■	■	■	■	■	■	■	■
850 ³⁾	0.60	450	■	■	■	■	■	■	■	■	■	■	■	■	■	■	■	■	■	■	■	■	■	■	■	■	■	■	■	■
1,050 ³⁾	0.80	540	■	■	■	■	■	■	■	■	■	■	■	■	■	■	■	■	■	■	■	■	■	■	■	■	■	■	■	■
1,250 ³⁾	0.95	590	■	△	△	△	■	■	■	■	■	■	■	■	■	■	■	■	■	■	■	■	■	■	■	■	■	■	■	■
500 ⁴⁾	0.32	270	■	■	■	■	■	■	■	■	■	■	■	■	■	■	■	■	■	■	■	■	■	■	■	■	■	■	■	■
650 ⁴⁾	0.45	330	■	■	■	■	■	■	■	■	■	■	■	■	■	■	■	■	■	■	■	■	■	■	■	■	■	■	■	■
850 ⁴⁾	0.65	380	■	■	■	■	■	■	■	■	■	■	■	■	■	■	■	■	■	■	■	■	■	■	■	■	■	■	■	■
1,050 ⁴⁾	0.85	460	■	■	■	■	■	■	■	■	■	■	■	■	■	■	■	■	■	■	■	■	■	■	■	■	■	■	■	■
1,250 ⁴⁾	1.05	500	△	△	△	△	■	■	■	■	■	■	■	■	■	■	■	■	■	■	■	■	■	■	■	■	■	■	■	■

* Indicated loads are based on ISO 10567 and do not exceed 75% of tipping or 87% of hydraulic capacity, max. stick length without quick coupler, lifted 360° on firm with blocked oscillating axle

¹⁾ comparable with SAE (heaped)

²⁾ Bucket with teeth ³⁾ Bucket with teeth in HD-version ⁴⁾ Bucket with cutting edge (also available in HD-version)

Buckets with 500 mm cutting width with limited digging depth

Max. material weight ■ ≤ 1.8 t/m³, ■ ≤ 1.5 t/m³, △ ≤ 1.2 t/m³, - = not authorised

Lift Capacities

with Two-Piece Boom 5.25 m

		Stick 2.05 m											
		Undercarriage stabilized		3.0 m		4.5 m		6.0 m		7.5 m		m	
m		rear	front										
9.0	Blade	—	—										
	Outriggers	—	—										
	Outriggers	Blade	Blade										
7.5	Blade	—	—			4.1*	4.1*					2.7*	2.7*
	Outriggers	—	—			4.1*	4.1*					2.7*	2.7*
	Outriggers	Blade	Blade			4.1*	4.1*					2.7*	2.7*
6.0	Blade	—	—			4.8	5.3*	3.0	3.9*			2.4*	2.4*
	Outriggers	—	—			5.2	5.3*	3.3	3.9*			2.4*	2.4*
	Outriggers	Blade	Blade			5.3*	5.3*	3.9*	3.9*			2.4*	2.4*
4.5	Blade	—	—	8.4	8.9*	4.7	6.5*	3.0	4.7			2.1	2.3*
	Outriggers	—	—	8.9*	8.9*	5.1	6.5*	3.3	5.4*			2.3*	2.3*
	Outriggers	Blade	Blade	8.9*	8.9*	6.5*	6.5*	4.8	5.4*			2.3*	2.3*
3.0	Blade	—	—	8.0	11.3*	4.5	7.0	3.0	4.7	1.9	3.2	1.8	2.3*
	Outriggers	—	—	8.9	11.3*	5.0	7.6*	3.3	5.8*	2.1	3.4*	2.0	2.3*
	Outriggers	Blade	Blade	11.3*	11.3*	7.2	7.6*	4.8	5.8*	3.3	3.4*	2.3*	2.3*
1.5	Blade	—	—	7.9	11.6*	4.5	6.9	2.9	4.6	1.9	3.1	1.7	2.5*
	Outriggers	—	—	8.7	11.6*	4.9	8.4*	3.2	6.1*	2.1	4.4*	1.9	2.5*
	Outriggers	Blade	Blade	11.6*	11.6*	7.1	8.4*	4.7	6.1*	3.2	4.4*	2.5*	2.5*
0	Blade	—	—	7.6	13.1*	4.3	7.0	2.7	4.4	1.8	3.0	1.8	2.9*
	Outriggers	—	—	8.6	13.1*	4.8	8.5*	3.0	6.2*	2.0	3.4*	2.0	2.9*
	Outriggers	Blade	Blade	13.1*	13.1*	7.2	8.5*	4.6	6.2*	3.1	3.4*	2.9*	2.9*
-1.5	Blade	—	—	7.3	13.6	4.1	6.9	2.5	4.3			1.9	3.3
	Outriggers	—	—	8.3	13.9*	4.5	8.7*	2.8	6.2*			2.2	3.6*
	Outriggers	Blade	Blade	13.8	13.9*	7.1	8.7*	4.4	6.2*			3.4	3.6*
-3.0	Blade	—	—	7.1	13.6	3.8	6.6	2.4	3.8*			2.4	3.7*
	Outriggers	—	—	8.1	14.0*	4.2	8.0*	2.7	3.8*			2.7	3.7*
	Outriggers	Blade	Blade	14.0*	14.0*	6.8	8.0*	3.8*	3.8*			3.7*	3.7*
-4.5	Blade	—	—	—	—	—	—	—	—			—	—
	Outriggers	—	—	—	—	—	—	—	—			—	—
	Outriggers	Blade	Blade	—	—	—	—	—	—			—	—

		Stick 2.25 m											
		Undercarriage stabilized		3.0 m		4.5 m		6.0 m		7.5 m		m	
m		rear	front										
9.0	Blade	—	—										
	Outriggers	—	—										
	Outriggers	Blade	Blade										
7.5	Blade	—	—			4.1*	4.1*					2.4*	2.4*
	Outriggers	—	—			4.1*	4.1*					2.4*	2.4*
	Outriggers	Blade	Blade			4.1*	4.1*					2.4*	2.4*
6.0	Blade	—	—			4.8	4.8*	3.0	3.9*			2.1*	2.1*
	Outriggers	—	—			4.8*	4.8*	3.3	3.9*			2.1*	2.1*
	Outriggers	Blade	Blade			4.8*	4.8*	3.9*	3.9*			2.1*	2.1*
4.5	Blade	—	—	6.9*	6.9*	4.7	6.3*	3.0	4.7			2.0	2.1*
	Outriggers	—	—	6.9*	6.9*	5.1	6.3*	3.3	5.2*			2.1*	2.1*
	Outriggers	Blade	Blade	6.9*	6.9*	6.3*	6.3*	4.8	5.2*			2.1*	2.1*
3.0	Blade	—	—	8.1	11.5*	4.5	7.0	3.0	4.7	1.9	3.2	1.7	2.1*
	Outriggers	—	—	8.9	11.5*	5.0	7.5*	3.3	5.7*	2.2	3.8*	1.9	2.1*
	Outriggers	Blade	Blade	11.5*	11.5*	7.2	7.5*	4.8	5.7*	3.3	3.8*	2.1*	2.1*
1.5	Blade	—	—	7.9	11.4*	4.5	6.9	2.9	4.6	1.9	3.1	1.7	2.3*
	Outriggers	—	—	8.7	11.4*	4.9	8.3*	3.2	6.1*	2.1	4.6	1.9	2.3*
	Outriggers	Blade	Blade	11.4*	11.4*	7.1	8.3*	4.7	6.1*	3.2	4.8*	2.3*	2.3*
0	Blade	—	—	7.7	12.9*	4.3	7.0	2.7	4.5	1.8	3.0	1.7	2.6*
	Outriggers	—	—	8.7	12.9*	4.8	8.5*	3.0	6.1*	2.0	4.5*	1.9	2.6*
	Outriggers	Blade	Blade	12.9*	12.9*	7.1	8.5*	4.6	6.1*	3.1	4.5*	2.6*	2.6*
-1.5	Blade	—	—	7.3	13.5	4.1	6.9	2.5	4.3			1.8	3.1*
	Outriggers	—	—	8.3	13.8*	4.5	8.6*	2.8	6.2*			2.1	3.1*
	Outriggers	Blade	Blade	13.7	13.8*	7.1	8.6*	4.4	6.2*			3.1*	3.1*
-3.0	Blade	—	—	7.2	13.7	3.8	6.6	2.4	4.2			2.3	3.7*
	Outriggers	—	—	8.1	14.2*	4.2	8.4*	2.7	4.5*			2.5	3.7*
	Outriggers	Blade	Blade	14.1	14.2*	6.8	8.4*	4.3	4.5*			3.7*	3.7*
-4.5	Blade	—	—	—	—	—	—	—	—			—	—
	Outriggers	—	—	—	—	—	—	—	—			—	—
	Outriggers	Blade	Blade	—	—	—	—	—	—			—	—

Height Can be slewed through 360° In longitudinal position of undercarriage Max. reach * Limited by hydr. capacity

The lift capacities on the load lift hook of the Liebherr quick coupler SWA 33 without attachment are stated in metric tons (t) and are valid on a firm, level supporting surface with blocked oscillating axle. These capacities can be slewed through 360° with the undercarriage in the transverse position. Capacities in the longitudinal position of the undercarriage (+/- 15°) are specified over the steering axle with the stabilizers raised and over the rigid axle with the stabilizers down. The values apply when the adjusting cylinder is in the optimal position. Indicated loads based on the ISO 10567 standard and do not exceed 75 % of tipping or 87 % of hydraulic capacity, or are limited by the permissible load of the load lift hook on the quick coupler (max. 5 t). Without the quick coupler, lift capacities will increase by up to 110 kg.

In accordance with the harmonised European Standard EN 474-5, hydraulic excavators used for lifting operations must be equipped with pipe fracture safety valves, an overload warning device, a load lift hook and a lift capacity chart.

Lift Capacities

with Two-Piece Boom 5.25 m

Stick 2.45 m											
m	Undercarriage stabilized		3.0 m		4.5 m		6.0 m		7.5 m		m
	rear	front	rear	front	rear	front	rear	front	rear	front	
9.0	Blade	—									
	Outriggers	Blade									
	Outriggers	Outriggers									
7.5	Blade	—			4.0*	4.0*					2.2*
	Outriggers	Blade			4.0*	4.0*					2.2*
	Outriggers	Outriggers			4.0*	4.0*					2.2*
6.0	Blade	—			4.4*	4.4*	3.0	3.9*			2.0*
	Outriggers	Blade			4.4*	4.4*	3.3	3.9*			2.0*
	Outriggers	Outriggers			4.4*	4.4*	3.9*	3.9*			2.0*
4.5	Blade	—	5.6*	5.6*	5.1	5.6*	3.4	5.0*	2.2	2.6*	1.9*
	Outriggers	Blade	5.6*	5.6*	5.6*	5.6*	4.8	5.0*	2.6*	2.6*	1.9*
	Outriggers	Outriggers	5.6*	5.6*	5.6*	5.6*	5.0*	5.0*	2.6*	2.6*	1.9*
3.0	Blade	—	8.1	11.7*	4.5	7.0	3.0	4.6	1.9	3.2	1.7
	Outriggers	Blade	8.9	11.7*	5.0	7.3*	3.3	5.6*	2.2	4.0*	1.9
	Outriggers	Outriggers	11.7*	11.7*	7.2	7.3*	4.7	5.6*	3.3	4.0*	1.9*
1.5	Blade	—	7.8	11.3*	4.4	6.9	2.9	4.6	1.9	3.1	1.6
	Outriggers	Blade	8.7	11.3*	4.9	8.2*	3.2	6.0*	2.1	4.6	1.8
	Outriggers	Outriggers	11.3*	11.3*	7.0	8.2*	4.7	6.0*	3.2	4.7*	2.0*
0	Blade	—	7.7	12.6*	4.3	6.9	2.8	4.5	1.8	3.0	1.6
	Outriggers	Blade	8.7	12.6*	4.8	8.4*	3.0	6.1*	2.0	4.5	1.8
	Outriggers	Outriggers	12.6*	12.6*	7.1	8.4*	4.6	6.1*	3.1	4.7*	2.3*
-1.5	Blade	—	7.3	13.4	4.1	6.9	2.5	4.3			1.7
	Outriggers	Blade	8.2	13.7*	4.5	8.5*	2.8	6.2*			2.0
	Outriggers	Outriggers	13.7*	13.7*	8.5	8.5*	5.5	6.2*			2.8*
-3.0	Blade	—	7.2	13.7	3.8	6.6	2.4	4.1			2.1
	Outriggers	Blade	8.1	14.2*	4.2	8.6*	2.7	5.0*			2.4
	Outriggers	Outriggers	14.2*	14.2*	8.6*	8.6*	5.0*	5.0*			3.6*
-4.5	Blade	—	6.9	9.3*							5.1
	Outriggers	Blade	7.9	9.3*							5.8
	Outriggers	Outriggers	9.3*	9.3*							6.8*

Stick 2.65 m											
m	Undercarriage stabilized		3.0 m		4.5 m		6.0 m		7.5 m		m
	rear	front	rear	front	rear	front	rear	front	rear	front	
9.0	Blade	—									2.6*
	Outriggers	Blade									2.6*
	Outriggers	Outriggers									2.6*
7.5	Blade	—			3.8*	3.8*					2.0*
	Outriggers	Blade			3.8*	3.8*					2.0*
	Outriggers	Outriggers			3.8*	3.8*					2.0*
6.0	Blade	—			4.1*	4.1*	3.0	3.7*			1.8*
	Outriggers	Blade			4.1*	4.1*	3.3	3.7*			1.8*
	Outriggers	Outriggers			4.1*	4.1*	3.7*	3.7*			1.8*
4.5	Blade	—	4.7	5.0*	3.1	4.6*			2.0	2.9*	1.7*
	Outriggers	Blade	5.0*	5.0*	3.4	4.6*	2.2	2.9*	1.7*	1.7*	1.7*
	Outriggers	Outriggers	5.0*	5.0*	4.6*	4.6*	2.9*	2.9*	1.7*	1.7*	1.7*
3.0	Blade	—	8.1	11.1*	4.5	7.0	3.0	4.6	2.0	3.2	1.6
	Outriggers	Blade	8.9	11.1*	4.9	7.1*	3.3	5.4*	2.2	4.1*	1.7*
	Outriggers	Outriggers	11.1*	11.1*	7.1*	7.1*	4.7	5.4*	3.3	4.1*	1.7*
1.5	Blade	—	7.8	11.2*	4.4	6.9	3.0	4.6	1.9	3.1	1.5
	Outriggers	Blade	8.6	11.2*	4.8	8.1*	3.3	5.9*	2.1	4.6	1.7
	Outriggers	Outriggers	11.2*	11.2*	7.0	8.1*	4.7	5.9*	3.2	4.7*	1.9*
0	Blade	—	7.8	12.4*	4.3	6.9	2.8	4.5	1.8	3.0	1.5
	Outriggers	Blade	8.7	12.4*	4.8	8.4*	3.1	6.0*	2.0	4.5	1.7
	Outriggers	Outriggers	12.4*	12.4*	7.0	8.4*	4.6	6.0*	3.1	4.7*	2.1*
-1.5	Blade	—	7.3	13.3	4.1	6.9	2.5	4.3	1.7	3.0	1.6
	Outriggers	Blade	8.2	13.6*	4.5	8.5*	2.8	6.1*	1.9	3.6*	1.9
	Outriggers	Outriggers	13.6*	13.6*	8.5	8.5*	5.5	6.1*	3.6*	3.6*	2.5*
-3.0	Blade	—	7.1	13.6	3.8	6.6	2.4	4.1			2.0
	Outriggers	Blade	8.1	14.1*	4.3	8.7*	2.7	5.4*			2.2
	Outriggers	Outriggers	14.1*	14.1*	8.7	8.7*	5.3	5.4*			3.3*
-4.5	Blade	—	6.9	10.5*							3.7
	Outriggers	Blade	7.8	10.5*							4.2
	Outriggers	Outriggers	10.5*	10.5*							5.3*

Height Can be slewed through 360° In longitudinal position of undercarriage Max. reach * Limited by hydr. capacity

The lift capacities on the load lift hook of the Liebherr quick coupler SWA 33 without attachment are stated in metric tons (t) and are valid on a firm, level supporting surface with blocked oscillating axle. These capacities can be slewed through 360° with the undercarriage in the transverse position. Capacities in the longitudinal position of the undercarriage (+/- 15°) are specified over the steering axle with the stabilizers raised and over the rigid axle with the stabilizers down. The values apply when the adjusting cylinder is in the optimal position. Indicated loads based on the ISO 10567 standard and do not exceed 75 % of tipping or 87 % of hydraulic capacity, or are limited by the permissible load of the load lift hook on the quick coupler (max. 5 t). Without the quick coupler, lift capacities will increase by up to 110 kg.

In accordance with the harmonised European Standard EN 474-5, hydraulic excavators used for lifting operations must be equipped with pipe fracture safety valves, an overload warning device, a load lift hook and a lift capacity chart.

Lift Capacities

with Two-Piece Boom 5.25 m, EW-Undercarriage

Stick 2.05 m		Undercarriage stabilized		3.0 m		4.5 m		6.0 m		7.5 m		m	
m	rear	front	m		m		m		m		m		m
9.0	—	—											
Blade	—	—											
Outriggers	Blade	Blade											
7.5	—	—											
Blade	—	—											
Outriggers	Blade	Blade			4.1*	4.1*						2.7*	2.7*
6.0	—	—											
Blade	—	—											
Outriggers	Blade	Blade			5.2	5.3*	3.2	3.9*				2.4*	2.4*
4.5	—	—	8.9*	8.9*	5.1	6.5*	3.3	4.8				2.3*	2.3*
Blade	—	—	8.9*	8.9*	5.6	6.5*	3.6	5.4*				2.3*	2.3*
Outriggers	Blade	Blade	8.9*	8.9*	6.5*	6.5*	5.0	5.4*				2.3*	2.3*
3.0	—	—	8.9	11.3*	5.0	7.1	3.3	4.7	2.1	3.2		2.0	2.3*
Blade	—	—	9.8	11.3*	5.4	7.6*	3.6	5.8*	2.4	3.4*		2.3	2.3*
Outriggers	Blade	Blade	11.3*	11.3*	7.5	7.6*	5.0	5.8*	3.4*	3.4*		2.3*	2.3*
1.5	—	—	8.7	11.6*	4.9	7.0	3.2	4.6	2.1	3.1		1.9	2.5*
Blade	—	—	9.7	11.6*	5.4	8.4*	3.5	6.1*	2.3	4.4*		2.2	2.5*
Outriggers	Blade	Blade	11.6*	11.6*	7.4	8.4*	5.0	6.1*	3.4	4.4*		2.5*	2.5*
0	—	—	8.6	13.1*	4.7	7.1	3.0	4.5	2.0	3.1		2.0	2.9*
Blade	—	—	9.7	13.1*	5.3	8.5*	3.3	6.2*	2.2	3.4*		2.2	2.9*
Outriggers	Blade	Blade	13.1*	13.1*	7.5	8.5*	4.8	6.2*	3.3	3.4*		2.9*	2.9*
-1.5	—	—	8.2	13.7	4.5	7.0	2.8	4.3				2.2	3.4
Blade	—	—	9.4	13.9*	5.0	8.7*	3.1	6.2*				2.4	3.6*
Outriggers	Blade	Blade	13.9*	13.9*	7.5	8.7*	4.6	6.2*				3.6*	3.6*
-3.0	—	—	8.1	13.8	4.2	6.6	2.7	3.8*				2.7	3.7*
Blade	—	—	9.2	14.0*	4.7	8.0*	3.1	3.8*				3.0	3.7*
Outriggers	Blade	Blade	14.0*	14.0*	7.2	8.0*	3.8*	3.8*				3.7*	3.7*
-4.5	—	—											
Blade	—	—											
Outriggers	Blade	Blade											

Stick 2.25 m		Undercarriage stabilized		3.0 m		4.5 m		6.0 m		7.5 m		m	
m	rear	front	m		m		m		m		m		m
9.0	—	—											
Blade	—	—											
Outriggers	Blade	Blade											
7.5	—	—											
Blade	—	—											
Outriggers	Blade	Blade										2.4*	2.4*
6.0	—	—											
Blade	—	—											
Outriggers	Blade	Blade										2.1*	2.1*
4.5	—	—	6.9*	6.9*	5.1	6.3*	3.3	4.8				2.1*	2.1*
Blade	—	—	6.9*	6.9*	5.6	6.3*	3.6	5.2*				2.1*	2.1*
Outriggers	Blade	Blade	6.9*	6.9*	6.3*	6.3*	5.0	5.2*				2.1*	2.1*
3.0	—	—	8.9	11.5*	5.0	7.1	3.3	4.7	2.1	3.2		1.9	2.1*
Blade	—	—	9.8	11.5*	5.4	7.5*	3.6	5.7*	2.4	3.8*		2.1*	2.1*
Outriggers	Blade	Blade	11.5*	11.5*	7.5*	7.5*	5.0	5.7*	3.4	3.8*		2.1*	2.1*
1.5	—	—	8.7	11.4*	4.9	7.0	3.2	4.7	2.1	3.2		1.8	2.3*
Blade	—	—	9.7	11.4*	5.3	8.3*	3.5	6.1*	2.3	4.6		2.1	2.3*
Outriggers	Blade	Blade	11.4*	11.4*	7.4	8.3*	4.9	6.1*	3.4	4.8*		2.3*	2.3*
0	—	—	8.6	12.9*	4.8	7.0	3.0	4.5	2.0	3.1		1.9	2.6*
Blade	—	—	9.7	12.9*	5.3	8.5*	3.3	6.1*	2.2	4.5*		2.1	2.6*
Outriggers	Blade	Blade	12.9*	12.9*	7.4	8.5*	4.8	6.1*	3.3	4.5*		2.6*	2.6*
-1.5	—	—	8.2	13.6	4.5	7.0	2.8	4.3				2.1	3.1*
Blade	—	—	9.4	13.8*	5.1	8.6*	3.1	6.2*				2.3	3.1*
Outriggers	Blade	Blade	13.8*	13.8*	7.5	8.6*	4.6	6.2*				3.1*	3.1*
-3.0	—	—	8.1	13.8	4.2	6.6	2.7	4.2				2.5	3.7*
Blade	—	—	9.2	14.2*	4.7	8.4*	3.0	4.5*				2.8	3.7*
Outriggers	Blade	Blade	14.2*	14.2*	7.2	8.4*	4.5*	4.5*				3.7*	3.7*
-4.5	—	—											
Blade	—	—											
Outriggers	Blade	Blade											

Height Can be slewed through 360° In longitudinal position of undercarriage Max. reach * Limited by hydr. capacity

The lift capacities on the load lift hook of the Liebherr quick coupler SWA 33 without attachment are stated in metric tons (t) and are valid on a firm, level supporting surface with blocked oscillating axle. These capacities can be slewed through 360° with the undercarriage in the transverse position. Capacities in the longitudinal position of the undercarriage (+/- 15°) are specified over the steering axle with the stabilizers raised and over the rigid axle with the stabilizers down. The values apply when the adjusting cylinder is in the optimal position. Indicated loads based on the ISO 10567 standard and do not exceed 75 % of tipping or 87 % of hydraulic capacity, or are limited by the permissible load of the load lift hook on the quick coupler (max. 5 t). Without the quick coupler, lift capacities will increase by up to 110 kg.

In accordance with the harmonised European Standard EN 474-5, hydraulic excavators used for lifting operations must be equipped with pipe fracture safety valves, an overload warning device, a load lift hook and a lift capacity chart.

Lift Capacities

with Two-Piece Boom 5.25 m, EW-Undercarriage

Stick 2.45 m

m	Undercarriage stabilized		3.0 m		4.5 m		6.0 m		7.5 m		m	
	rear	front										
9.0	—	—										
	Blade	—										
	Outriggers	Blade										
7.5	—	—			4.0*	4.0*					2.2*	2.2*
	Blade	—			4.0*	4.0*					2.2*	2.2*
	Outriggers	Blade			4.0*	4.0*					2.2*	2.2*
6.0	—	—			4.4*	4.4*	3.3	3.9*			2.0*	2.0*
	Blade	—			4.4*	4.4*	3.6	3.9*			2.0*	2.0*
	Outriggers	Blade			4.4*	4.4*	3.9*	3.9*			2.0*	2.0*
4.5	—	—	5.6*	5.6*	5.1	5.6*	3.3	4.7	2.2	2.6*	1.9*	1.9*
	Blade	—	5.6*	5.6*	5.6	5.6*	3.7	5.0*	2.4	2.6*	1.9*	1.9*
	Outriggers	Blade	5.6*	5.6*	5.6*	5.6*	5.0*	5.0*	2.6*	2.6*	1.9*	1.9*
3.0	—	—	8.9	11.7*	4.9	7.1	3.3	4.7	2.2	3.2	1.9	1.9*
	Blade	—	9.8	11.7*	5.4	7.3*	3.6	5.6*	2.4	4.0*	1.9*	1.9*
	Outriggers	Blade	11.7*	11.7*	7.3*	7.3*	4.9	5.6*	3.4	4.0*	1.9*	1.9*
1.5	—	—	8.7	11.3*	4.9	6.9	3.2	4.6	2.1	3.2	1.8	2.0*
	Blade	—	9.6	11.3*	5.3	8.2*	3.5	6.0*	2.3	4.6	2.0	2.0*
	Outriggers	Blade	11.3*	11.3*	7.4	8.2*	4.9	6.0*	3.4	4.7*	2.0*	2.0*
0	—	—	8.7	12.6*	4.8	7.0	3.0	4.5	2.0	3.1	1.8	2.3*
	Blade	—	9.7	12.6*	5.3	8.4*	3.4	6.1*	2.2	4.6	2.0	2.3*
	Outriggers	Blade	12.6*	12.6*	7.4	8.4*	4.8	6.1*	3.3	4.7*	2.3*	2.3*
-1.5	—	—	8.2	13.5	4.5	7.0	2.8	4.3			1.9	2.8*
	Blade	—	9.4	13.7*	5.0	8.5*	3.2	6.2*			2.2	2.8*
	Outriggers	Blade	13.7*	13.7*	7.5	8.5*	4.6	6.2*			2.8*	2.8*
-3.0	—	—	8.1	13.8	4.2	6.7	2.7	4.2			2.4	3.6*
	Blade	—	9.2	14.2*	4.7	8.6*	3.0	5.0*			2.7	3.6*
	Outriggers	Blade	14.2*	14.2*	7.2	8.6*	4.5	5.0*			3.6*	3.6*
-4.5	—	—	7.8	9.3*							5.8	6.8*
	Blade	—	9.0	9.3*							6.5	6.8*
	Outriggers	Blade	9.3*	9.3*							6.8*	6.8*

Stick 2.65 m

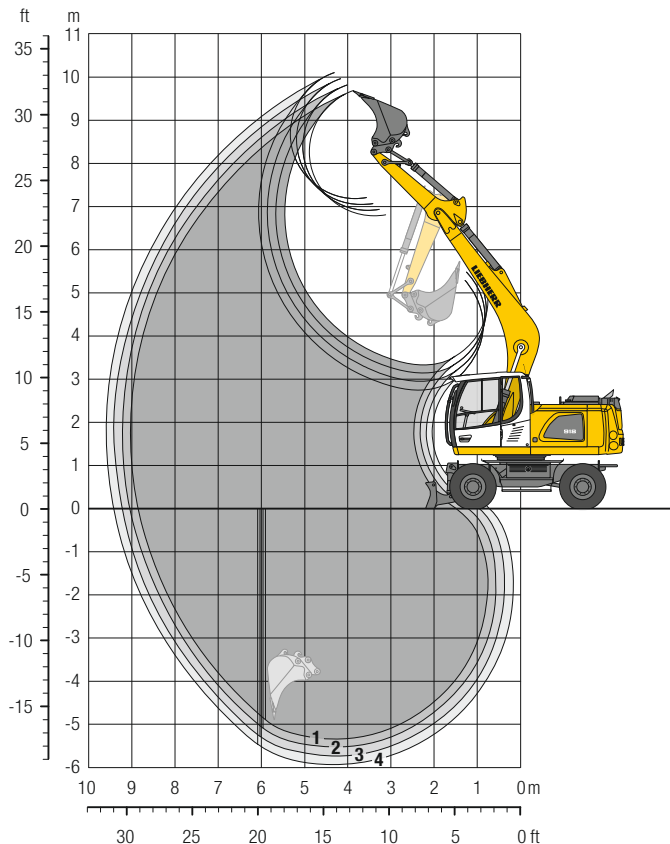
m	Undercarriage stabilized		3.0 m		4.5 m		6.0 m		7.5 m		m	
	rear	front										
9.0	—	—									2.6*	2.6*
	Blade	—									2.6*	2.6*
	Outriggers	Blade									2.6*	2.6*
7.5	—	—									2.0*	2.0*
	Blade	—									2.0*	2.0*
	Outriggers	Blade									2.0*	2.0*
6.0	—	—									1.8*	1.8*
	Blade	—									1.8*	1.8*
	Outriggers	Blade									1.8*	1.8*
4.5	—	—									1.7*	1.7*
	Blade	—									1.7*	1.7*
	Outriggers	Blade									1.7*	1.7*
3.0	—	—	8.9	11.1*	4.9	7.0	3.3	4.7	2.2	3.2	1.7*	1.7*
	Blade	—	9.8	11.1*	5.4	7.1*	3.6	5.4*	2.4	4.1*	1.7*	1.7*
	Outriggers	Blade	11.1*	11.1*	7.1*	7.1*	4.9	5.4*	3.4	4.1*	1.7*	1.7*
1.5	—	—	8.6	11.2*	4.8	6.9	3.2	4.6	2.1	3.2	1.7	1.9*
	Blade	—	9.6	11.2*	5.3	8.1*	3.6	5.9*	2.3	4.6	1.9*	1.9*
	Outriggers	Blade	11.2*	11.2*	7.3	8.1*	4.9	5.9*	3.4	4.7*	1.9*	1.9*
0	—	—	8.6	12.4*	4.8	6.9	3.1	4.5	2.0	3.1	1.7	2.1*
	Blade	—	9.6	12.4*	5.3	8.4*	3.4	6.0*	2.2	4.6	1.9	2.1*
	Outriggers	Blade	12.4*	12.4*	7.3	8.4*	4.8	6.0*	3.3	4.7*	2.1*	2.1*
-1.5	—	—	8.2	13.4	4.5	7.0	2.8	4.3	1.9	3.0	1.8	2.5*
	Blade	—	9.4	13.6*	5.0	8.5*	3.2	6.1*	2.2	3.6*	2.1	2.5*
	Outriggers	Blade	13.6*	13.6*	7.5	8.5*	4.6	6.1*	3.2	3.6*	2.5*	2.5*
-3.0	—	—	8.1	13.8	4.2	6.7	2.7	4.2			2.2	3.3*
	Blade	—	9.2	14.1*	4.8	8.7*	3.0	5.4*			2.5	3.3*
	Outriggers	Blade	14.1*	14.1*	7.2	8.7*	4.5	5.4*			3.3*	3.3*
-4.5	—	—	7.8	10.5*							4.2	5.3*
	Blade	—	8.9	10.5*							4.7	5.3*
	Outriggers	Blade	10.5*	10.5*							5.3*	5.3*

Height Can be slewed through 360° In longitudinal position of undercarriage Max. reach * Limited by hydr. capacity

The lift capacities on the load lift hook of the Liebherr quick coupler SWA 33 without attachment are stated in metric tons (t) and are valid on a firm, level supporting surface with blocked oscillating axle. These capacities can be slewed through 360° with the undercarriage in the transverse position. Capacities in the longitudinal position of the undercarriage (+/- 15°) are specified over the steering axle with the stabilizers raised and over the rigid axle with the stabilizers down. The values apply when the adjusting cylinder is in the optimal position. Indicated loads based on the ISO 10567 standard and do not exceed 75 % of tipping or 87 % of hydraulic capacity, or are limited by the permissible load of the load lift hook on the quick coupler (max. 5 t). Without the quick coupler, lift capacities will increase by up to 110 kg.

In accordance with the harmonised European Standard EN 474-5, hydraulic excavators used for lifting operations must be equipped with pipe fracture safety valves, an overload warning device, a load lift hook and a lift capacity chart.

Backhoe Bucket with Mono Boom 5.30 m



Digging Envelope

with quick coupler		1	2	3	4
Stick length	m	2.05	2.25	2.45	2.65
Max. digging depth	m	5.35	5.55	5.75	5.95
Max. reach at ground level	m	8.85	9.05	9.25	9.45
Max. dumping height	m	6.75	6.90	7.05	7.20
Max. teeth height	m	9.70	9.85	9.95	10.10
Min. equipment radius	m	2.68	2.72	2.75	2.79

Digging Forces

without quick coupler		1	2	3	4
Max. digging force (ISO 6015)	kN	87.2	81.3	76.3	71.8
	t	8.9	8.3	7.8	7.3
Max. breakout force (ISO 6015)	kN	99.4	99.4	99.4	99.4
	t	10.1	10.1	10.1	10.1

Max. breakout force with ripper bucket 125.7 kN (12.8 t)

Operating Weight

The operating weight includes the basic machine with 8 tyres plus intermediate rings, mono boom 5.30 m, stick 2.45 m, quick coupler SWA 33 and bucket 1,050 mm / 0.80 m³.

Undercarriage versions	Weight (kg)
A 918 Litronic with rear blade	17,300
A 918 Litronic with rear outriggers + front blade	18,200
A 918 Litronic with rear + front outriggers	18,400
A 918 EW Litronic with rear blade	17,500
A 918 EW Litronic with rear outriggers + front blade	18,400

Buckets Machine stability per ISO 10567* (75% of tipping capacity)

Cutting width mm	Capacity ISO 7451 ¹⁾ m ³	Weight kg	Stabilizers raised				Rear blade down				Rear outriggers + front blade down				Rear + front outriggers down				EW Stabilizers raised				EW Rear blade down				EW Rear outriggers + front blade down			
			Stick length (m)				Stick length (m)				Stick length (m)				Stick length (m)				Stick length (m)				Stick length (m)							
			2.05	2.25	2.45	2.65	2.05	2.25	2.45	2.65	2.05	2.25	2.45	2.65	2.05	2.25	2.45	2.65	2.05	2.25	2.45	2.65	2.05	2.25	2.45	2.65	2.05	2.25	2.45	2.65
500 ²⁾	0.30	290	■	■	■	■	■	■	■	■	■	■	■	■	■	■	■	■	■	■	■	■	■	■	■	■	■	■	■	■
650 ²⁾	0.42	350	■	■	■	■	■	■	■	■	■	■	■	■	■	■	■	■	■	■	■	■	■	■	■	■	■	■	■	■
850 ²⁾	0.60	400	■	■	■	■	■	■	■	■	■	■	■	■	■	■	■	■	■	■	■	■	■	■	■	■	■	■	■	■
1,050 ²⁾	0.80	480	■	■	■	■	■	■	■	■	■	■	■	■	■	■	■	■	■	■	■	■	■	■	■	■	■	■	■	■
1,250 ²⁾	0.95	530	■	△	△	△	■	■	■	■	■	■	■	■	■	■	■	■	■	■	■	■	■	■	■	■	■	■	■	■
500 ³⁾	0.30	320	■	■	■	■	■	■	■	■	■	■	■	■	■	■	■	■	■	■	■	■	■	■	■	■	■	■	■	■
650 ³⁾	0.42	380	■	■	■	■	■	■	■	■	■	■	■	■	■	■	■	■	■	■	■	■	■	■	■	■	■	■	■	■
850 ³⁾	0.60	450	■	■	■	■	■	■	■	■	■	■	■	■	■	■	■	■	■	■	■	■	■	■	■	■	■	■	■	■
1,050 ³⁾	0.80	540	■	■	■	■	■	■	■	■	■	■	■	■	■	■	■	■	■	■	■	■	■	■	■	■	■	■	■	■
1,250 ³⁾	0.95	590	■	△	△	△	■	■	■	■	■	■	■	■	■	■	■	■	■	■	■	■	■	■	■	■	■	■	■	■
500 ⁴⁾	0.32	270	■	■	■	■	■	■	■	■	■	■	■	■	■	■	■	■	■	■	■	■	■	■	■	■	■	■	■	■
650 ⁴⁾	0.45	330	■	■	■	■	■	■	■	■	■	■	■	■	■	■	■	■	■	■	■	■	■	■	■	■	■	■	■	■
850 ⁴⁾	0.65	380	■	■	■	■	■	■	■	■	■	■	■	■	■	■	■	■	■	■	■	■	■	■	■	■	■	■	■	■
1,050 ⁴⁾	0.85	460	■	■	■	■	■	■	■	■	■	■	■	■	■	■	■	■	■	■	■	■	■	■	■	■	■	■	■	■
1,250 ⁴⁾	1.05	500	△	△	△	—	■	■	△	△	■	■	■	■	■	■	■	■	■	■	△	△	■	■	■	■	■	■	■	■

* Indicated loads are based on ISO 10567 and do not exceed 75% of tipping or 87% of hydraulic capacity, max. stick length without quick coupler, lifted 360° on firm with blocked oscillating axle

¹⁾ comparable with SAE (heaped)

²⁾ Bucket with teeth ³⁾ Bucket with teeth in HD-version ⁴⁾ Bucket with cutting edge (also available in HD-version)

Buckets with 500 mm cutting width with limited digging depth

Max. material weight: ■ ≤ 1.8 t/m³, ■ ≤ 1.5 t/m³, △ ≤ 1.2 t/m³, — = not authorised

Lift Capacities

with Mono Boom 5.30 m

		Stick 2.05 m											
		Undercarriage stabilized		3.0 m		4.5 m		6.0 m		7.5 m		m	
m		rear	front										
9.0	Blade	—	—										
	Outriggers	Blade	Blade										
	Outriggers	Outriggers	Outriggers										
7.5	Blade	—	—			3.7*	3.7*					2.6*	2.6*
	Outriggers	Blade	Blade			3.7*	3.7*					2.6*	2.6*
	Outriggers	Outriggers	Outriggers			3.7*	3.7*					2.6*	2.6*
6.0	Blade	—	—			4.4*	4.4*	2.9	3.5*			2.3*	2.3*
	Outriggers	Blade	Blade			4.4*	4.4*	3.2	3.5*			2.3*	2.3*
	Outriggers	Outriggers	Outriggers			4.4*	4.4*	3.5*	3.5*			2.3*	2.3*
4.5	Blade	—	—	6.9*	6.9*	4.4*	5.3*	2.8	4.6*			2.1	2.3*
	Outriggers	Blade	Blade	6.9*	6.9*	4.9	5.3*	3.1	4.6*			2.3*	2.3*
	Outriggers	Outriggers	Outriggers	6.9*	6.9*	5.3*	5.3*	4.6*	4.6*			2.3*	2.3*
3.0	Blade	—	—			4.0	6.7*	2.7	4.4	1.9	3.0*	1.8	2.4*
	Outriggers	Blade	Blade			4.5	6.7*	3.0	5.2*	2.1	3.0*	2.1	2.4*
	Outriggers	Outriggers	Outriggers			6.7*	6.7*	4.5	5.2*	3.0*	3.0*	2.4*	2.4*
1.5	Blade	—	—			3.7	6.4	2.5	4.2	1.8	3.1	1.7	2.6*
	Outriggers	Blade	Blade			4.1	8.0*	2.8	5.8*	2.0	4.0*	1.9	2.6*
	Outriggers	Outriggers	Outriggers			6.6	8.0*	4.3	5.8*	3.2	4.0*	2.6*	2.6*
0	Blade	—	—	4.6*	4.6*	3.5	6.2	2.4	4.1			1.8	3.0
	Outriggers	Blade	Blade	4.6*	4.6*	3.9	8.4*	2.7	6.1*			2.0	3.1*
	Outriggers	Outriggers	Outriggers	4.7*	4.7*	8.2	8.4*	5.3	6.1*			3.1*	3.1*
-1.5	Blade	—	—	6.3	8.3*	3.4	6.1	2.3	4.0			1.9	3.3
	Outriggers	Blade	Blade	7.2	8.3*	3.9	8.1*	2.6	5.9*			2.2	4.0*
	Outriggers	Outriggers	Outriggers	8.3*	8.3*	6.3	8.1*	4.2	5.9*			3.4	4.0*
-3.0	Blade	—	—	6.4	9.9*	3.5	6.2					2.4	4.2
	Outriggers	Blade	Blade	7.3	9.9*	3.9	7.1*					2.7	5.1*
	Outriggers	Outriggers	Outriggers	9.9*	9.9*	6.4	7.1*					4.3	5.1*
-4.5	Blade	—	—										
	Outriggers	Blade	Blade										
	Outriggers	Outriggers	Outriggers										

		Stick 2.25 m											
		Undercarriage stabilized		3.0 m		4.5 m		6.0 m		7.5 m		m	
m		rear	front										
9.0	Blade	—	—										
	Outriggers	Blade	Blade										
	Outriggers	Outriggers	Outriggers										
7.5	Blade	—	—									2.3*	2.3*
	Outriggers	Blade	Blade			3.8*	3.8*					2.3*	2.3*
	Outriggers	Outriggers	Outriggers			3.8*	3.8*					2.3*	2.3*
6.0	Blade	—	—			4.2*	4.2*	3.0	3.7*			2.1*	2.1*
	Outriggers	Blade	Blade			4.2*	4.2*	3.3	3.7*			2.1*	2.1*
	Outriggers	Outriggers	Outriggers			4.2*	4.2*	3.7*	3.7*			2.1*	2.1*
4.5	Blade	—	—	4.5	5.0*	2.9	4.4*					2.0	2.1*
	Outriggers	Blade	Blade	4.9	5.0*	3.1	4.4*					2.1*	2.1*
	Outriggers	Outriggers	Outriggers	5.0*	5.0*	4.4*	4.4*					2.1*	2.1*
3.0	Blade	—	—			4.0	6.5*	2.7	4.4	1.9	3.1	1.8	2.2*
	Outriggers	Blade	Blade			4.5	6.5*	3.0	5.0*	2.1	3.5*	2.0	2.2*
	Outriggers	Outriggers	Outriggers			6.5*	6.5*	4.5	5.0*	3.2	3.5*	2.2*	2.2*
1.5	Blade	—	—			3.7	6.4	2.5	4.2	1.8	3.0	1.7	2.4*
	Outriggers	Blade	Blade			4.1	7.8*	2.8	5.7*	2.0	4.5	1.9	2.4*
	Outriggers	Outriggers	Outriggers			6.6	7.8*	4.3	5.7*	3.1	4.5*	2.4*	2.4*
0	Blade	—	—	4.8*	4.8*	3.5	6.2	2.4	4.1	1.7	3.0	1.7	2.7*
	Outriggers	Blade	Blade	4.8*	4.8*	3.9	8.4*	2.6	6.0*	2.0	4.2*	1.9	2.7*
	Outriggers	Outriggers	Outriggers	4.8*	4.8*	8.2	8.4*	5.2	6.0*	3.8	4.2*	2.7*	2.7*
-1.5	Blade	—	—	6.2	7.9*	3.4	6.1	2.3	4.0			1.8	3.2
	Outriggers	Blade	Blade	7.1	7.9*	3.8	8.2*	2.6	6.0*			2.1	3.5*
	Outriggers	Outriggers	Outriggers	8.0*	8.0*	8.1	8.2*	5.2	6.0*			3.3	3.5*
-3.0	Blade	—	—	6.3	10.3*	3.5	6.2	2.3	4.1			2.3	3.9
	Outriggers	Blade	Blade	7.2	10.3*	3.9	7.2*	2.6	5.2*			2.5	4.9*
	Outriggers	Outriggers	Outriggers	10.3*	10.3*	6.4	7.2*	4.2	5.2*			4.0	4.9*
-4.5	Blade	—	—										
	Outriggers	Blade	Blade										
	Outriggers	Outriggers	Outriggers										

Height Can be slewed through 360° In longitudinal position of undercarriage Max. reach * Limited by hydr. capacity

The lift capacities on the load lift hook of the Liebherr quick coupler SWA 33 without attachment are stated in metric tons (t) and are valid on a firm, level supporting surface with blocked oscillating axle. These capacities can be slewed through 360° with the undercarriage in the transverse position. Capacities in the longitudinal position of the undercarriage (+/- 15°) are specified over the steering axle with the stabilizers raised and over the rigid axle with the stabilizers down. Indicated loads based on the ISO 10567 standard and do not exceed 75 % of tipping or 87 % of hydraulic capacity, or are limited by the permissible load of the load lift hook on the quick coupler (max. 5 t). Without the quick coupler, lift capacities will increase by up to 110 kg.


In accordance with the harmonised European Standard EN 474-5, hydraulic excavators used for lifting operations must be equipped with pipe fracture safety valves, an overload warning device, a load lift hook and a lift capacity chart.

Stick 2.45 m

m	Undercarriage stabilized		3.0 m		4.5 m		6.0 m		7.5 m		m
	rear	front									
9.0	Blade	—									
	Outriggers	Blade									
	Outriggers	Outriggers									
7.5	Blade	—								2.1*	2.1*
	Outriggers	Blade								2.1*	2.1*
	Outriggers	Outriggers								2.1*	2.1*
6.0	Blade	—					3.0	3.7*		1.9*	1.9*
	Outriggers	Blade					3.3	3.7*		1.9*	1.9*
	Outriggers	Outriggers					3.7*	3.7*		1.9*	1.9*
4.5	Blade	—			4.5	4.8*	2.9	4.3*	2.0	2.3*	1.9*
	Outriggers	Blade			4.8*	4.8*	3.2	4.3*	2.2	2.3*	1.9*
	Outriggers	Outriggers			4.8*	4.8*	4.3*	4.3*	2.3*	2.3*	1.9*
3.0	Blade	—	7.2	10.2*	4.1	6.2*	2.7	4.4	1.9	3.1	1.7
	Outriggers	Blade	8.2	10.2*	4.5	6.2*	3.0	4.9*	2.1	3.8*	1.9
	Outriggers	Outriggers	10.2*	10.2*	6.2*	6.2*	4.5	4.9*	3.2	3.8*	2.0*
1.5	Blade	—			3.7	6.4	2.5	4.2	1.8	3.0	1.6
	Outriggers	Blade			4.1	7.6*	2.8	5.5*	2.0	4.5	1.8
	Outriggers	Outriggers			6.6	7.6*	4.3	5.5*	3.1	4.5*	2.1*
0	Blade	—	4.9*	4.9*	3.4	6.2	2.3	4.1	1.7	3.0	1.6
	Outriggers	Blade	4.9*	4.9*	3.9	8.3*	2.6	6.0*	1.9	4.4	1.8
	Outriggers	Outriggers	4.9*	4.9*	8.2	8.3*	5.2	6.0*	3.8	4.7*	2.4*
-1.5	Blade	—	6.1	7.6*	3.4	6.1	2.3	4.0			1.7
	Outriggers	Blade	7.0	7.6*	3.8	8.2*	2.6	6.0*			2.0
	Outriggers	Outriggers	7.6*	7.6*	6.3	8.2*	4.1	6.0*			3.0*
-3.0	Blade	—	6.2	10.6*	3.4	6.1	2.3	4.0			2.1
	Outriggers	Blade	7.2	10.6*	3.8	7.4*	2.6	5.3*			2.4
	Outriggers	Outriggers	10.6*	10.6*	6.3	7.4*	4.1	5.3*			3.8
-4.5	Blade	—			3.6	5.3*					3.2
	Outriggers	Blade			4.0	5.3*					3.6
	Outriggers	Outriggers			5.3*	5.3*					4.8*

Stick 2.65 m

m	Undercarriage stabilized		3.0 m		4.5 m		6.0 m		7.5 m		m
	rear	front									
9.0	Blade	—									
	Outriggers	Blade									
	Outriggers	Outriggers									
7.5	Blade	—									1.9*
	Outriggers	Blade									1.9*
	Outriggers	Outriggers									1.9*
6.0	Blade	—					3.0	3.6*			1.8*
	Outriggers	Blade					3.3	3.6*			1.8*
	Outriggers	Outriggers					3.6*	3.6*			1.8*
4.5	Blade	—			4.5	4.5*	2.9	4.1*	2.0	2.6*	1.7*
	Outriggers	Blade			4.5*	4.5*	3.2	4.1*	2.2	2.6*	1.7*
	Outriggers	Outriggers			4.5*	4.5*	4.1*	4.1*	2.6*	2.6*	1.7*
3.0	Blade	—	7.4	9.5*	4.1	6.0*	2.7	4.4	1.9	3.1	1.6
	Outriggers	Blade	8.3	9.5*	4.6	6.0*	3.0	4.7*	2.1	3.9*	1.8*
	Outriggers	Outriggers	9.5*	9.5*	6.0*	6.0*	4.6	4.7*	3.2	3.9*	1.8*
1.5	Blade	—	4.1*	4.1*	3.7	6.4	2.5	4.2	1.8	3.0	1.5
	Outriggers	Blade	4.1*	4.1*	4.1	7.4*	2.8	5.4*	2.0	4.4*	1.7
	Outriggers	Outriggers	4.1*	4.1*	6.6	7.4*	4.3	5.4*	3.1	4.4*	1.9*
0	Blade	—	5.0*	5.0*	3.4	6.1	2.3	4.0	1.7	2.9	1.5
	Outriggers	Blade	5.0*	5.0*	3.9	8.2*	2.6	5.9*	1.9	4.4	1.7
	Outriggers	Outriggers	5.0*	5.0*	8.1	8.2*	5.2	5.9*	3.8	4.6*	2.2*
-1.5	Blade	—	6.0	7.3*	3.3	6.0	2.2	4.0	1.7	2.9	1.6
	Outriggers	Blade	6.9	7.3*	3.8	8.2*	2.5	6.0*	1.9	3.3*	1.9
	Outriggers	Outriggers	7.3*	7.3*	6.2	8.2*	4.1	6.0*	3.0	3.3*	2.7*
-3.0	Blade	—	6.2	10.6*	3.3	6.1	2.3	4.0			2.0
	Outriggers	Blade	7.1	10.6*	3.8	7.5*	2.5	5.4*			2.2
	Outriggers	Outriggers	10.6*	10.6*	6.2	7.5*	4.1	5.4*			3.5
-4.5	Blade	—			3.5	5.7*					2.9
	Outriggers	Blade			4.0	5.7*					3.2
	Outriggers	Outriggers			5.7*	5.7*					4.7*

 **Height**  **Can be slewed through 360°**  **In longitudinal position of undercarriage**  **Max. reach** * Limited by hydr. capacity

The lift capacities on the load lift hook of the Liebherr quick coupler SWA 33 without attachment are stated in metric tons (t) and are valid on a firm, level supporting surface with blocked oscillating axle. These capacities can be slewed through 360° with the undercarriage in the transverse position. Capacities in the longitudinal position of the undercarriage (+/- 15°) are specified over the steering axle with the stabilizers raised and over the rigid axle with the stabilizers down. Indicated loads based on the ISO 10567 standard and do not exceed 75 % of tipping or 87 % of hydraulic capacity, or are limited by the permissible load of the load lift hook on the quick coupler (max. 5 t). Without the quick coupler, lift capacities will increase by up to 110 kg.

In accordance with the harmonised European Standard EN 474-5, hydraulic excavators used for lifting operations must be equipped with pipe fracture safety valves, an overload warning device, a load lift hook and a lift capacity chart.

Lift Capacities

with Mono Boom 5.30 m, EW-Undercarriage

Stick 2.05 m		Undercarriage stabilized		3.0 m		4.5 m		6.0 m		7.5 m		m	
m	rear	front	m		m		m		m		m		m
9.0	—	—											
Blade	—	—											
Outriggers	Blade	Blade											
7.5	—	—			3.7*	3.7*						2.6*	2.6*
Blade	—	—			3.7*	3.7*						2.6*	2.6*
Outriggers	Blade	Blade			3.7*	3.7*						2.6*	2.6*
6.0	—	—			4.4*	4.4*	3.2	3.5*				2.3*	2.3*
Blade	—	—			4.4*	4.4*	3.5*	3.5*				2.3*	2.3*
Outriggers	Blade	Blade			4.4*	4.4*	3.5*	3.5*				2.3*	2.3*
4.5	—	—	6.9*	6.9*	4.9	5.3*	3.1	4.6*				2.3*	2.3*
Blade	—	—	6.9*	6.9*	5.3*	5.3*	3.5	4.6*				2.3*	2.3*
Outriggers	Blade	Blade	6.9*	6.9*	5.3*	5.3*	4.6*	4.6*				2.3*	2.3*
3.0	—	—			4.5	6.7*	3.0	4.5	2.1	3.0*		2.1	2.4*
Blade	—	—			5.0	6.7*	3.3	5.2*	2.3	3.0*		2.3	2.4*
Outriggers	Blade	Blade			6.7*	6.7*	4.8	5.2*	3.0*	3.0*		2.4*	2.4*
1.5	—	—			4.1	6.5	2.8	4.3	2.0	3.1		1.9	2.6*
Blade	—	—			4.6	8.0*	3.1	5.8*	2.3	4.0*		2.2	2.6*
Outriggers	Blade	Blade			7.0	8.0*	4.6	5.8*	3.3	4.0*		2.6*	2.6*
0	—	—	4.6*	4.6*	3.9	6.3	2.7	4.1				2.0	3.0
Blade	—	—	4.6*	4.6*	4.4	8.4*	3.0	6.1*				2.2	3.1*
Outriggers	Blade	Blade	4.6*	4.6*	6.8	8.4*	4.4	6.1*				3.1*	3.1*
-1.5	—	—	7.2	8.3*	3.9	6.2	2.6	4.1				2.2	3.4
Blade	—	—	8.2	8.3*	4.4	8.1*	2.9	5.9*				2.4	4.0*
Outriggers	Blade	Blade	8.3*	8.3*	6.7	8.1*	4.4	5.9*				3.6	4.0*
-3.0	—	—	7.3	9.9*	3.9	6.3						2.7	4.2
Blade	—	—	8.4	9.9*	4.4	7.1*						3.0	5.1*
Outriggers	Blade	Blade	9.9*	9.9*	6.8	7.1*						4.5	5.1*
-4.5	—	—											
Blade	—	—											
Outriggers	Blade	Blade											

Stick 2.25 m		Undercarriage stabilized		3.0 m		4.5 m		6.0 m		7.5 m		m	
m	rear	front	m		m		m		m		m		m
9.0	—	—											
Blade	—	—											
Outriggers	Blade	Blade											
7.5	—	—					3.8*	3.8*				2.3*	2.3*
Blade	—	—					3.8*	3.8*				2.3*	2.3*
Outriggers	Blade	Blade					3.8*	3.8*				2.3*	2.3*
6.0	—	—					4.2*	4.2*	3.2	3.7*		2.1*	2.1*
Blade	—	—					4.2*	4.2*	3.6	3.7*		2.1*	2.1*
Outriggers	Blade	Blade					4.2*	4.2*	3.7*	3.7*		2.1*	2.1*
4.5	—	—			4.9	5.0*	3.1	4.4*				2.1*	2.1*
Blade	—	—			5.0*	5.0*	3.5	4.4*				2.1*	2.1*
Outriggers	Blade	Blade			5.0*	5.0*	4.4*	4.4*				2.1*	2.1*
3.0	—	—			4.5	6.5*	3.0	4.5	2.1	3.2		2.0	2.2*
Blade	—	—			5.0	6.5*	3.3	5.0*	2.3	3.5*		2.2*	2.2*
Outriggers	Blade	Blade			6.5*	6.5*	4.8	5.0*	3.4	3.5*		2.2*	2.2*
1.5	—	—			4.1	6.5	2.8	4.3	2.0	3.1		1.9	2.4*
Blade	—	—			4.6	7.8*	3.1	5.7*	2.3	4.5*		2.1	2.4*
Outriggers	Blade	Blade			7.0	7.8*	4.6	5.7*	3.3	4.5*		2.4*	2.4*
0	—	—	4.8*	4.8*	3.9	6.2	2.6	4.1	1.9	3.0		1.9	2.7*
Blade	—	—	4.8*	4.8*	4.4	8.4*	3.0	6.0*	2.2	4.2*		2.1	2.7*
Outriggers	Blade	Blade	4.8*	4.8*	6.7	8.4*	4.4	6.0*	3.2	4.2*		2.7*	2.7*
-1.5	—	—	7.1	7.9*	3.8	6.2	2.6	4.1				2.1	3.2
Blade	—	—	7.9*	7.9*	4.3	8.2*	2.9	6.0*				2.3	3.5*
Outriggers	Blade	Blade	7.9*	7.9*	6.7	8.2*	4.4	6.0*				3.4	3.5*
-3.0	—	—	7.2	10.3*	3.9	6.2	2.6	4.1				2.5	3.9
Blade	—	—	8.3	10.3*	4.4	7.2*	3.0	5.2*				2.8	4.9*
Outriggers	Blade	Blade	10.3*	10.3*	6.7	7.2*	4.4	5.2*				4.2	4.9*
-4.5	—	—											
Blade	—	—											
Outriggers	Blade	Blade											

Height Can be slewed through 360° In longitudinal position of undercarriage Max. reach * Limited by hydr. capacity



The lift capacities on the load lift hook of the Liebherr quick coupler SWA 33 without attachment are stated in metric tons (t) and are valid on a firm, level supporting surface with blocked oscillating axle. These capacities can be slewed through 360° with the undercarriage in the transverse position. Capacities in the longitudinal position of the undercarriage (+/- 15°) are specified over the steering axle with the stabilizers raised and over the rigid axle with the stabilizers down. Indicated loads based on the ISO 10567 standard and do not exceed 75 % of tipping or 87 % of hydraulic capacity, or are limited by the permissible load of the load lift hook on the quick coupler (max. 5 t). Without the quick coupler, lift capacities will increase by up to 110 kg. In accordance with the harmonised European Standard EN 474-5, hydraulic excavators used for lifting operations must be equipped with pipe fracture safety valves, an overload warning device, a load lift hook and a lift capacity chart.

Stick 2.45 m

m	Undercarriage stabilized		3.0 m		4.5 m		6.0 m		7.5 m		m	
	rear	front										
9.0	—	—										
	Blade	—										
	Outriggers	Blade										
7.5	—	—									2.1*	2.1*
	Blade	—									2.1*	2.1*
	Outriggers	Blade									2.1*	2.1*
6.0	—	—					3.3	3.7*			1.9*	1.9*
	Blade	—					3.6	3.7*			1.9*	1.9*
	Outriggers	Blade					3.7*	3.7*			1.9*	1.9*
4.5	—	—			4.8*	4.8*	3.2	4.3*	2.2	2.3*	1.9*	1.9*
	Blade	—			4.8*	4.8*	3.5	4.3*	2.3*	2.3*	1.9*	1.9*
	Outriggers	Blade			4.8*	4.8*	4.3*	4.3*	2.3*	2.3*	1.9*	1.9*
3.0	—	—	8.2	10.2*	4.5	6.2*	3.0	4.5	2.1	3.2	1.9	2.0*
	Blade	—	9.3	10.2*	5.0	6.2*	3.3	4.9*	2.3	3.8*	2.0*	2.0*
	Outriggers	Blade	10.2*	10.2*	6.2*	6.2*	4.8	4.9*	3.4	3.8*	2.0*	2.0*
1.5	—	—			4.1	6.5	2.8	4.3	2.0	3.1	1.8	2.1*
	Blade	—			4.6	7.6*	3.1	5.5*	2.2	4.5*	2.0	2.1*
	Outriggers	Blade			7.0	7.6*	4.6	5.5*	3.3	4.5*	2.1*	2.1*
0	—	—	4.9*	4.9*	3.9	6.2	2.6	4.1	1.9	3.0	1.8	2.4*
	Blade	—	4.9*	4.9*	4.4	8.3*	2.9	6.0*	2.2	4.5	2.0	2.4*
	Outriggers	Blade	4.9*	4.9*	6.7	8.3*	4.4	6.0*	3.2	4.7*	2.4*	2.4*
-1.5	—	—	7.0	7.6*	3.8	6.1	2.6	4.0			1.9	3.0
	Blade	—	7.6*	7.6*	4.3	8.2*	2.9	6.0*			2.2	3.0*
	Outriggers	Blade	7.6*	7.6*	6.6	8.2*	4.3	6.0*			3.0*	3.0*
-3.0	—	—	7.1	10.6*	3.8	6.2	2.6	4.1			2.4	3.7
	Blade	—	8.2	10.6*	4.3	7.4*	2.9	5.3*			2.7	4.5*
	Outriggers	Blade	10.6*	10.6*	6.7	7.4*	4.4	5.3*			4.0	4.5*
-4.5	—	—			4.0	5.3*					3.6	4.8*
	Blade	—			4.5	5.3*					4.0	4.8*
	Outriggers	Blade			5.3*	5.3*					4.8*	4.8*

Stick 2.65 m

m	Undercarriage stabilized		3.0 m		4.5 m		6.0 m		7.5 m		m	
	rear	front										
9.0	—	—										
	Blade	—										
	Outriggers	Blade										
7.5	—	—									1.9*	1.9*
	Blade	—									1.9*	1.9*
	Outriggers	Blade									1.9*	1.9*
6.0	—	—					3.3	3.6*			1.8*	1.8*
	Blade	—					3.6*	3.6*			1.8*	1.8*
	Outriggers	Blade					3.6*	3.6*			1.8*	1.8*
4.5	—	—			4.5*	4.5*	3.2	4.1*	2.2	2.6*	1.7*	1.7*
	Blade	—			4.5*	4.5*	3.5	4.1*	2.4	2.6*	1.7*	1.7*
	Outriggers	Blade			4.5*	4.5*	4.1*	4.1*	2.6*	2.6*	1.7*	1.7*
3.0	—	—	8.3	9.5*	4.6	6.0*	3.0	4.5	2.1	3.2	1.8*	1.8*
	Blade	—	9.5	9.5*	5.1	6.0*	3.3	4.7*	2.3	3.9*	1.8*	1.8*
	Outriggers	Blade	9.5*	9.5*	6.0*	6.0*	4.7*	4.7*	3.4	3.9*	1.8*	1.8*
1.5	—	—	4.1*	4.1*	4.1	6.5	2.8	4.2	2.0	3.1	1.7	1.9*
	Blade	—	4.1*	4.1*	4.6	7.4*	3.1	5.4*	2.2	4.4*	1.9	1.9*
	Outriggers	Blade	4.1*	4.1*	7.0	7.4*	4.6	5.4*	3.3	4.4*	1.9*	1.9*
0	—	—	5.0*	5.0*	3.8	6.2	2.6	4.1	1.9	3.0	1.7	2.2*
	Blade	—	5.0*	5.0*	4.3	8.2*	2.9	5.9*	2.1	4.5	1.9	2.2*
	Outriggers	Blade	5.0*	5.0*	6.7	8.2*	4.4	5.9*	3.2	4.6*	2.2*	2.2*
-1.5	—	—	6.9	7.3*	3.7	6.1	2.5	4.0	1.9	2.9	1.8	2.7*
	Blade	—	7.3*	7.3*	4.2	8.2*	2.8	6.0*	2.1	3.3*	2.1	2.7*
	Outriggers	Blade	7.3*	7.3*	6.6	8.2*	4.3	6.0*	3.2	3.3*	2.7*	2.7*
-3.0	—	—	7.0	10.6*	3.8	6.1	2.5	4.0			2.2	3.5
	Blade	—	8.1	10.6*	4.3	7.5*	2.9	5.4*			2.5	3.8*
	Outriggers	Blade	10.6*	10.6*	6.6	7.5*	4.3	5.4*			3.7	3.8*
-4.5	—	—			3.9	5.7*					3.2	4.7*
	Blade	—			4.4	5.7*					3.6	4.7*
	Outriggers	Blade			5.7*	5.7*					4.7*	4.7*

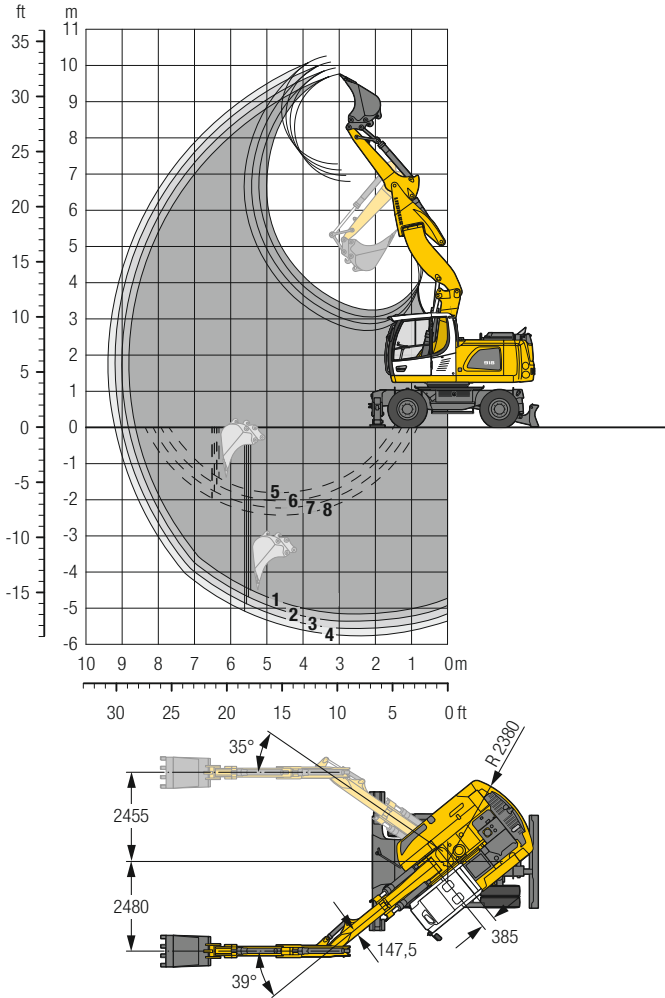
 Height  Can be slewed through 360°  In longitudinal position of undercarriage  Max. reach * Limited by hydr. capacity

The lift capacities on the load lift hook of the Liebherr quick coupler SWA 33 without attachment are stated in metric tons (t) and are valid on a firm, level supporting surface with blocked oscillating axle. These capacities can be slewed through 360° with the undercarriage in the transverse position. Capacities in the longitudinal position of the undercarriage (+/- 15°) are specified over the steering axle with the stabilizers raised and over the rigid axle with the stabilizers down. Indicated loads based on the ISO 10567 standard and do not exceed 75 % of tipping or 87 % of hydraulic capacity, or are limited by the permissible load of the load lift hook on the quick coupler (max. 5 t). Without the quick coupler, lift capacities will increase by up to 110 kg.

In accordance with the harmonised European Standard EN 474-5, hydraulic excavators used for lifting operations must be equipped with pipe fracture safety valves, an overload warning device, a load lift hook and a lift capacity chart.

Backhoe Bucket

with Offset Two-Piece Boom 5.00 m



Digging Envelope

with quick coupler	1	2	3	4
Stick length	m 2.05	2.25	2.45	2.65
Max. digging depth	m 5.15	5.40	5.60	5.80
Max. reach at ground level	m 8.65	8.85	9.05	9.25
Max. dumping height	m 6.80	6.95	7.10	7.25
Max. teeth height	m 9.80	9.95	10.10	10.25
Min. equipment radius	m 2.53	2.60	2.66	2.72

- 1 with stick 2.05 m
- 2 with stick 2.25 m
- 3 with stick 2.45 m
- 4 with stick 2.65 m
- with set straight boom
- 5 with stick 2.05 m
- 6 with stick 2.25 m
- 7 with stick 2.45 m
- 8 with stick 2.65 m
- at max. equipment offset with vertical ditch walls

Digging Forces

without quick coupler	1	2	3	4
Max. digging force (ISO 6015)	kN 87.2	81.3	76.3	71.8
	t 8.9	8.3	7.8	7.3
Max. breakout force (ISO 6015)	kN 99.4	99.4	99.4	99.4
	t 10.1	10.1	10.1	10.1

Max. breakout force with ripper bucket 125.7 kN (12.8 t)

Operating Weight

The operating weight includes the basic machine with 8 tyres plus intermediate rings, offset two-piece boom 5.00 m, stick 2.45 m, quick coupler SWA 33 and bucket 1,050 mm/0.80 m³.

Undercarriage versions	Weight (kg)
A 918 Litronic with rear blade	18,200
A 918 Litronic with rear outriggers + front blade	19,200
A 918 Litronic with rear + front outriggers	19,400
A 918 EW Litronic with rear blade	18,300
A 918 EW Litronic with rear outriggers + front blade	19,300

Buckets Machine stability per ISO 10567* (75% of tipping capacity)

Cutting width mm	Capacity ISO 745 ¹⁾ m ³	Weight kg	Stabilizers raised				Rear blade down				Rear outriggers + front blade down				Rear + front outriggers down				EW Stabilizers raised				EW Rear blade down				EW Rear outriggers + front blade down							
			Stick length (m)				Stick length (m)				Stick length (m)				Stick length (m)				Stick length (m)				Stick length (m)				Stick length (m)							
			2.05	2.25	2.45	2.65	2.05	2.25	2.45	2.65	2.05	2.25	2.45	2.65	2.05	2.25	2.45	2.65	2.05	2.25	2.45	2.65	2.05	2.25	2.45	2.65	2.05	2.25	2.45	2.65	2.05	2.25	2.45	2.65
850 ²⁾	0.60	400	■	■	■	■	■	■	■	■	■	■	■	■	■	■	■	■	■	■	■	■	■	■	■	■	■	■	■	■	■	■	■	■
1,050 ²⁾	0.80	480	■	■	■	△	■	■	■	■	■	■	■	■	■	■	■	■	■	■	■	■	■	■	■	■	■	■	■	■	■	■	■	■
1,250 ²⁾	0.95	530	△	△	△	△	■	■	■	■	■	■	■	■	■	■	■	■	■	■	■	■	■	■	■	■	■	■	■	■	■	■	■	■
850 ³⁾	0.60	450	■	■	■	■	■	■	■	■	■	■	■	■	■	■	■	■	■	■	■	■	■	■	■	■	■	■	■	■	■	■	■	■
1,050 ³⁾	0.80	540	■	■	■	△	■	■	■	■	■	■	■	■	■	■	■	■	■	■	■	■	■	■	■	■	■	■	■	■	■	■	■	■
1,250 ³⁾	0.95	590	△	△	△	-	■	■	■	△	△	■	■	■	■	■	■	■	■	■	■	△	△	■	■	■	■	■	■	■	■	■	■	■
850 ⁴⁾	0.65	380	■	■	■	■	■	■	■	■	■	■	■	■	■	■	■	■	■	■	■	■	■	■	■	■	■	■	■	■	■	■	■	■
1,050 ⁴⁾	0.85	460	■	■	■	△	■	■	■	■	■	■	■	■	■	■	■	■	■	■	■	■	■	■	■	■	■	■	■	■	■	■	■	■
1,250 ⁴⁾	1.05	500	△	△	-	-	■	△	△	△	■	■	■	■	■	■	■	■	■	■	■	△	△	△	■	■	■	■	■	■	■	■	■	■

* Indicated loads are based on ISO 10567 and do not exceed 75% of tipping or 87% of hydraulic capacity, max. stick length without quick coupler, lifted 360° on firm with blocked oscillating axle

¹⁾ comparable with SAE (heaped)

²⁾ Bucket with teeth ³⁾ Bucket with teeth in HD-version ⁴⁾ Bucket with cutting edge (also available in HD-version)

Max. material weight ■ = ≤ 1.8 t/m³, ■ = ≤ 1.5 t/m³, △ = ≤ 1.2 t/m³, - = not authorised

Lift Capacities

with Offset Two-Piece Boom 5.00 m

		Stick 2.05 m											
		Undercarriage stabilized		3.0 m		4.5 m		6.0 m		7.5 m		m	
m		rear	front										
9.0	Blade	—	—										
	Outriggers	—	—										
	Outriggers	Blade	Blade										
7.5	Blade	—	—			3.0*	3.0*					2.5*	2.5*
	Outriggers	—	—			3.0*	3.0*					2.5*	2.5*
	Outriggers	Blade	Blade			3.0*	3.0*					2.5*	2.5*
6.0	Blade	—	—			4.7	5.1*	2.8*	2.8*			2.2*	2.2*
	Outriggers	—	—			5.1*	5.1*	2.8*	2.8*			2.2*	2.2*
	Outriggers	Blade	Blade			5.1*	5.1*	2.8*	2.8*			2.2*	2.2*
4.5	Blade	—	—	7.7*	7.7*	4.6	6.3*	2.9	4.6			2.1	2.1*
	Outriggers	—	—	7.7*	7.7*	5.1	6.3*	3.2	5.2*			2.1*	2.1*
	Outriggers	Blade	Blade	7.7*	7.7*	6.3*	6.3*	4.7	5.2*			2.1*	2.1*
3.0	Blade	—	—	8.0	11.7*	4.5	6.9	2.8	4.6			1.8	2.2*
	Outriggers	—	—	8.8	11.7*	4.9	7.3*	3.1	5.6*			2.0	2.2*
	Outriggers	Blade	Blade	11.7*	11.7*	7.1	7.3*	4.7	5.6*			2.2*	2.2*
1.5	Blade	—	—	7.8	11.8*	4.5	6.8	2.7	4.5	1.7	2.5*	1.7	2.4*
	Outriggers	—	—	8.6	11.8*	4.9	8.1*	3.0	5.9*	1.9	2.5*	1.9	2.4*
	Outriggers	Blade	Blade	11.8*	11.8*	7.0	8.1*	4.6	5.9*	2.5*	2.5*	2.4*	2.4*
0	Blade	—	—	7.5	12.9	4.2	6.9	2.5	4.3			1.7	2.7*
	Outriggers	—	—	8.5	13.0*	4.7	8.2*	2.8	6.0*			1.9	2.7*
	Outriggers	Blade	Blade	13.0*	13.0*	7.1	8.2*	4.4	6.0*			2.7*	2.7*
-1.5	Blade	—	—	7.1	13.4	3.8	6.7	2.3	4.1			1.9	3.3
	Outriggers	—	—	8.1	13.5*	4.3	8.4*	2.6	5.7*			2.1	3.5*
	Outriggers	Blade	Blade	13.5*	13.5*	6.9	8.4*	4.2	5.7*			3.5*	3.5*
-3.0	Blade	—	—	6.8	13.2*	3.5	6.3					2.4	3.7*
	Outriggers	—	—	7.7	13.2*	4.0	7.2*					2.7	3.7*
	Outriggers	Blade	Blade	13.2*	13.2*	6.5	7.2*					3.7*	3.7*
-4.5	Blade	—	—	13.2*	13.2*	7.2*	7.2*					3.6*	3.6*
	Outriggers	—	—										
	Outriggers	Blade	Blade										

		Stick 2.25 m											
		Undercarriage stabilized		3.0 m		4.5 m		6.0 m		7.5 m		m	
m		rear	front										
9.0	Blade	—	—										
	Outriggers	—	—										
	Outriggers	Blade	Blade										
7.5	Blade	—	—									2.3*	2.3*
	Outriggers	—	—									2.3*	2.3*
	Outriggers	Blade	Blade									2.3*	2.3*
6.0	Blade	—	—									2.0*	2.0*
	Outriggers	—	—									2.0*	2.0*
	Outriggers	Blade	Blade									2.0*	2.0*
4.5	Blade	—	—	6.3*	6.3*	4.6	6.1*	2.9	4.6			1.9*	1.9*
	Outriggers	—	—	6.3*	6.3*	5.1	6.1*	3.2	4.9*			1.9*	1.9*
	Outriggers	Blade	Blade	6.3*	6.3*	6.1*	6.1*	4.7	4.9*			1.9*	1.9*
3.0	Blade	—	—	8.0	11.4*	4.5	6.9	2.9	4.6	1.8	2.6*	1.7	2.0*
	Outriggers	—	—	8.8	11.4*	4.9	7.1*	3.2	5.5*	2.0	2.6*	1.9	2.0*
	Outriggers	Blade	Blade	11.4*	11.4*	7.1	7.1*	4.7	5.5*	2.6*	2.6*	2.0*	2.0*
1.5	Blade	—	—	7.8*	11.7*	4.4	6.8	2.8	4.5	1.7	2.9	1.6	2.1*
	Outriggers	—	—	8.6	11.7*	4.8	8.0*	3.1	5.8*	1.9	3.4*	1.8	2.1*
	Outriggers	Blade	Blade	11.7*	11.7*	6.9	8.0*	4.6	5.8*	3.0	3.4*	2.1*	2.1*
0	Blade	—	—	7.6	12.8*	4.2	6.9	2.5	4.3	1.6	2.4*	1.6	2.4*
	Outriggers	—	—	8.6	12.8*	4.7	8.1*	2.8	5.9*	1.8	2.4*	1.8	2.4*
	Outriggers	Blade	Blade	12.8*	12.8*	7.0	8.1*	4.4	5.9*	2.4*	2.4*	2.4*	2.4*
-1.5	Blade	—	—	7.1	13.2	3.9	6.7	2.3	4.1			1.8	3.0*
	Outriggers	—	—	8.1	13.4*	4.4	8.4*	2.6	5.9*			2.0	3.0*
	Outriggers	Blade	Blade	13.4	13.4*	6.9	8.4*	4.2	5.9*			3.0*	3.0*
-3.0	Blade	—	—	6.8	13.3	3.5	6.3					2.2	3.6*
	Outriggers	—	—	7.8	13.6*	4.0	7.7*					2.5	3.6*
	Outriggers	Blade	Blade	13.6*	13.6*	6.5	7.7*					3.6*	3.6*
-4.5	Blade	—	—	13.6*	13.6*	7.7*	7.7*					3.6*	3.6*
	Outriggers	—	—										
	Outriggers	Blade	Blade										

Height Can be slewed through 360° In longitudinal position of undercarriage Max. reach * Limited by hydr. capacity

The lift capacities on the load lift hook of the Liebherr quick coupler SWA 33 without attachment are stated in metric tons (t) and are valid on a firm, level supporting surface with blocked oscillating axle. These capacities can be slewed through 360° with the undercarriage in the transverse position. Capacities in the longitudinal position of the undercarriage (+/- 15°) are specified over the steering axle with the stabilizers raised and over the rigid axle with the stabilizers down. The values apply when the adjusting cylinder is in the optimal position. Indicated loads based on the ISO 10567 standard and do not exceed 75 % of tipping or 87 % of hydraulic capacity, or are limited by the permissible load of the load lift hook on the quick coupler (max. 5 t). Without the quick coupler, lift capacities will increase by up to 110 kg.

In accordance with the harmonised European Standard EN 474-5, hydraulic excavators used for lifting operations must be equipped with pipe fracture safety valves, an overload warning device, a load lift hook and a lift capacity chart.

Lift Capacities

with Offset Two-Piece Boom 5.00 m

Stick 2.45 m

m	Undercarriage stabilized		3.0 m		4.5 m		6.0 m		7.5 m		m	
	rear	front										
9.0	Blade	—										
	Outriggers	Blade										
	Outriggers	Outriggers										
7.5	Blade	—			3.5*	3.5*				2.0*	2.0*	
	Outriggers	Blade			3.5*	3.5*				2.0*	2.0*	
	Outriggers	Outriggers			3.5*	3.5*				2.0*	2.0*	
6.0	Blade	—			4.4*	4.4*	2.9	3.4*		1.8*	1.8*	
	Outriggers	Blade			4.4*	4.4*	3.2	3.4*		1.8*	1.8*	
	Outriggers	Outriggers			4.4*	4.4*	3.4*	3.4*		1.8*	1.8*	
4.5	Blade	—			4.7*	5.5*	3.0	4.6		1.7*	1.7*	
	Outriggers	Blade			5.1*	5.5*	3.2	4.7*		1.7*	1.7*	
	Outriggers	Outriggers			5.5*	5.5*	4.7*	4.7*		1.7*	1.7*	
3.0	Blade	—	8.0	10.8*	4.5	6.9	2.9	4.6	1.8	3.0	1.6	1.8*
	Outriggers	Blade	8.8	10.8*	4.9	6.9*	3.2	5.4*	2.0	3.1*	1.8*	1.8*
	Outriggers	Outriggers	10.8*	10.8*	6.9*	6.9*	4.7	5.4*	3.1*	3.1*	1.8*	1.8*
1.5	Blade	—	7.7	11.6*	4.4	6.8	2.8	4.5	1.7	3.0	1.5	1.9*
	Outriggers	Blade	8.5	11.6*	4.8	7.9*	3.1	5.7*	1.9	3.9*	1.7	1.9*
	Outriggers	Outriggers	11.6*	11.6*	6.9	7.9*	4.6	5.7*	3.1	3.9*	1.9*	1.9*
0	Blade	—	7.7	12.6*	4.2	6.8	2.6	4.3	1.6	2.9	1.5	2.2*
	Outriggers	Blade	8.6	12.6*	4.7	8.1*	2.9	5.9*	1.8	3.5*	1.7	2.2*
	Outriggers	Outriggers	12.6*	12.6*	7.0	8.1*	4.4	5.9*	3.0	3.5*	2.2*	2.2*
-1.5	Blade	—	7.1	13.1	3.9	6.8	2.3	4.1			1.7	2.7*
	Outriggers	Blade	8.1	13.3*	4.4	8.3*	2.6	5.9*			1.9	2.7*
	Outriggers	Outriggers	13.3*	13.3*	7.0	8.3*	4.2	5.9*			2.7*	2.7*
-3.0	Blade	—	6.9	13.4	3.5	6.4	2.2	4.0			2.1	3.6*
	Outriggers	Blade	7.8	13.8*	4.0	8.0*	2.5	4.2*			2.4	3.6*
	Outriggers	Outriggers	13.8*	13.8*	6.6	8.0*	4.1	4.2*			3.6*	3.6*
-4.5	Blade	—										
	Outriggers	Blade										
	Outriggers	Outriggers										

Stick 2.65 m

m	Undercarriage stabilized		3.0 m		4.5 m		6.0 m		7.5 m		m	
	rear	front										
9.0	Blade	—										
	Outriggers	Blade										
	Outriggers	Outriggers										
7.5	Blade	—			3.5*	3.5*					1.9*	1.9*
	Outriggers	Blade			3.5*	3.5*					1.9*	1.9*
	Outriggers	Outriggers			3.5*	3.5*					1.9*	1.9*
6.0	Blade	—			4.0*	4.0*	2.9	3.4*			1.6*	1.6*
	Outriggers	Blade			4.0*	4.0*	3.2	3.4*			1.6*	1.6*
	Outriggers	Outriggers			4.0*	4.0*	3.4*	3.4*			1.6*	1.6*
4.5	Blade	—			4.7	4.9*	3.0	4.4*	1.8	2.0*	1.6*	1.6*
	Outriggers	Blade			4.9*	4.9*	3.3	4.4*	2.0*	2.0*	1.6*	1.6*
	Outriggers	Outriggers			4.9*	4.9*	4.4*	4.4*	2.0*	2.0*	1.6*	1.6*
3.0	Blade	—	8.0	10.3*	4.5	6.7*	3.0	4.6	1.8	3.1	1.5	1.6*
	Outriggers	Blade	8.9	10.3*	4.9	6.7*	3.2	5.2*	2.0	3.4*	1.6*	1.6*
	Outriggers	Outriggers	10.3*	10.3*	6.7*	6.7*	4.7	5.2*	3.1	3.4*	1.6*	1.6*
1.5	Blade	—	7.7	11.5*	4.4	6.7	2.8	4.5	1.7	3.0	1.4	1.7*
	Outriggers	Blade	8.5	11.5*	4.8	7.7*	3.1	5.7*	1.9	4.2*	1.6	1.7*
	Outriggers	Outriggers	11.5*	11.5*	6.9	7.7*	4.6	5.7*	3.1	4.2*	1.7*	1.7*
0	Blade	—	7.7	12.4*	4.2	6.8	2.6	4.3	1.6	2.9	1.4	1.9*
	Outriggers	Blade	8.6	12.4*	4.7	8.0*	2.9	5.8*	1.8	4.2*	1.6	1.9*
	Outriggers	Outriggers	12.4*	12.4*	6.9	8.0*	4.5	5.8*	3.0	4.2*	1.9*	1.9*
-1.5	Blade	—	7.1	13.0	3.9	6.8	2.4	4.1			1.6	2.4*
	Outriggers	Blade	8.1	13.2*	4.4	8.2*	2.7	5.9*			1.8	2.4*
	Outriggers	Outriggers	13.2*	13.2*	7.0	8.2*	4.2	5.9*			2.4*	2.4*
-3.0	Blade	—	6.9	13.5	3.5	6.4	2.2	3.9			1.9	3.3*
	Outriggers	Blade	7.9	13.9*	4.0	8.2*	2.5	4.7*			2.2	3.3*
	Outriggers	Outriggers	13.9*	13.9*	6.6	8.2*	4.1	4.7*			3.3*	3.3*
-4.5	Blade	—										
	Outriggers	Blade										
	Outriggers	Outriggers										

Height Can be slewed through 360° In longitudinal position of undercarriage Max. reach * Limited by hydr. capacity

The lift capacities on the load lift hook of the Liebherr quick coupler SWA 33 without attachment are stated in metric tons (t) and are valid on a firm, level supporting surface with blocked oscillating axle. These capacities can be slewed through 360° with the undercarriage in the transverse position. Capacities in the longitudinal position of the undercarriage (+/- 15°) are specified over the steering axle with the stabilizers raised and over the rigid axle with the stabilizers down. The values apply when the adjusting cylinder is in the optimal position. Indicated loads based on the ISO 10567 standard and do not exceed 75 % of tipping or 87 % of hydraulic capacity, or are limited by the permissible load of the load lift hook on the quick coupler (max. 5 t). Without the quick coupler, lift capacities will increase by up to 110 kg.

In accordance with the harmonised European Standard EN 474-5, hydraulic excavators used for lifting operations must be equipped with pipe fracture safety valves, an overload warning device, a load lift hook and a lift capacity chart.

Lift Capacities

with Offset Two-Piece Boom 5.00 m, EW-Undercarriage

Stick 2.05 m		Undercarriage stabilized		3.0 m		4.5 m		6.0 m		7.5 m		m	
m	rear	front	m		m		m		m		m		m
9.0	—	—											
	Blade	—											
	Outriggers	Blade											
7.5	—	—			3.0*	3.0*						2.5*	2.5*
	Blade	—			3.0*	3.0*						2.5*	2.5*
	Outriggers	Blade			3.0*	3.0*						2.5*	2.5*
6.0	—	—			5.1*	5.1*	2.8*	2.8*				2.2*	2.2*
	Blade	—			5.1*	5.1*	2.8*	2.8*				2.2*	2.2*
	Outriggers	Blade			5.1*	5.1*	2.8*	2.8*				2.2*	2.2*
4.5	—	—	7.7*	7.7*	5.1	6.3*	3.2	4.6				2.1*	2.1*
	Blade	—	7.7*	7.7*	5.5	6.3*	3.5	5.2*				2.1*	2.1*
	Outriggers	Blade	7.7*	7.7*	6.3*	6.3*	4.9	5.2*				2.1*	2.1*
3.0	—	—	8.8	11.7*	4.9	7.0	3.1	4.6				2.0	2.2*
	Blade	—	9.7	11.7*	5.4	7.3*	3.5	5.6*				2.2*	2.2*
	Outriggers	Blade	11.7*	11.7*	7.3*	7.3*	4.9	5.6*				2.2*	2.2*
1.5	—	—	8.6	11.8*	4.9	6.9	3.0	4.5	1.9	2.5*	1.9	2.4*	
	Blade	—	9.5	11.8*	5.3	8.1*	3.3	5.9*	2.1	2.5*	2.1	2.4*	7.5
	Outriggers	Blade	11.8*	11.8*	7.3	8.1*	4.8	5.9*	2.5*	2.5*	2.4*	2.4*	
0	—	—	8.5	13.0	4.7	7.0	2.8	4.3				1.9	2.7*
	Blade	—	9.7	13.0*	5.2	8.2*	3.1	6.0*				2.1	2.7*
	Outriggers	Blade	13.0*	13.0*	7.4	8.2*	4.6	6.0*				2.7*	2.7*
-1.5	—	—	8.1	13.4	4.3	6.7	2.6	4.1				2.1	3.4
	Blade	—	9.2	13.5*	4.8	8.4*	2.9	5.7*				2.4	3.5*
	Outriggers	Blade	13.5*	13.5*	7.3	8.4*	4.4	5.7*				3.5*	3.5*
-3.0	—	—	7.7	13.2*	4.0	6.4						2.7	3.7*
	Blade	—	8.8	13.2*	4.5	7.2*						3.1	3.7*
	Outriggers	Blade	13.2*	13.2*	6.9	7.2*						3.7*	3.7*
-4.5	—	—											
	Blade	—											
	Outriggers	Blade											

Stick 2.25 m		Undercarriage stabilized		3.0 m		4.5 m		6.0 m		7.5 m		m	
m	rear	front	m		m		m		m		m		m
9.0	—	—											
	Blade	—											
	Outriggers	Blade											
7.5	—	—					3.4*	3.4*				2.3*	2.3*
	Blade	—					3.4*	3.4*				2.3*	2.3*
	Outriggers	Blade					3.4*	3.4*				2.3*	2.3*
6.0	—	—					4.7*	4.7*	3.1	3.2*		2.0*	2.0*
	Blade	—					4.7*	4.7*	3.2*	3.2*		2.0*	2.0*
	Outriggers	Blade					4.7*	4.7*	3.2*	3.2*		2.0*	2.0*
4.5	—	—	6.3*	6.3*	5.1	6.1*	3.2	4.7				1.9*	1.9*
	Blade	—	6.3*	6.3*	5.5	6.1*	3.5	4.9*				1.9*	1.9*
	Outriggers	Blade	6.3*	6.3*	6.1*	6.1*	4.9	4.9*				1.9*	1.9*
3.0	—	—	8.8	11.4*	4.9	7.0	3.2	4.6	2.0	2.6*	1.9	2.0*	
	Blade	—	9.7*	11.4*	5.4	7.1*	3.5	5.5*	2.2	2.6*	2.0*	2.0*	7.6
	Outriggers	Blade	11.4*	11.4*	7.1*	7.1*	4.9	5.5*	2.6*	2.6*	2.0*	2.0*	
1.5	—	—	8.6	11.7*	4.8	6.8	3.0	4.5	1.9	3.0	1.8	2.1*	
	Blade	—	9.5	11.7*	5.3	8.0*	3.4	5.8*	2.1	3.4*	2.0	2.1*	7.7
	Outriggers	Blade	11.7*	11.7*	7.2	8.0*	4.8	5.8*	3.2	3.4*	2.1*	2.1*	
0	—	—	8.6	12.8*	4.7	6.9	2.8	4.3	1.8	2.4*	1.8	2.4*	
	Blade	—	9.6	12.8*	5.2	8.1*	3.2	5.9*	2.1	2.4*	2.0	2.4*	7.5
	Outriggers	Blade	12.8*	12.8*	7.3	8.1*	4.6	5.9*	2.4*	2.4*	2.4*	2.4*	
-1.5	—	—	8.1	13.3	4.3	6.8	2.6	4.1				2.0	3.0*
	Blade	—	9.2	13.4*	4.9	8.4*	2.9	5.9*				2.3	3.0*
	Outriggers	Blade	13.4*	13.4*	7.3	8.4*	4.4	5.9*				3.0*	3.0*
-3.0	—	—	7.8	13.5	4.0	6.4						2.5	3.6*
	Blade	—	8.9	13.6*	4.5	7.7*						2.9	3.6*
	Outriggers	Blade	13.6*	13.6*	6.9	7.7*						3.6*	3.6*
-4.5	—	—											
	Blade	—											
	Outriggers	Blade											

Height Can be slewed through 360° In longitudinal position of undercarriage Max. reach * Limited by hydr. capacity

The lift capacities on the load lift hook of the Liebherr quick coupler SWA 33 without attachment are stated in metric tons (t) and are valid on a firm, level supporting surface with blocked oscillating axle. These capacities can be slewed through 360° with the undercarriage in the transverse position. Capacities in the longitudinal position of the undercarriage (+/- 15°) are specified over the steering axle with the stabilizers raised and over the rigid axle with the stabilizers down. The values apply when the adjusting cylinder is in the optimal position. Indicated loads based on the ISO 10567 standard and do not exceed 75 % of tipping or 87 % of hydraulic capacity, or are limited by the permissible load of the load lift hook on the quick coupler (max. 5 t). Without the quick coupler, lift capacities will increase by up to 110 kg.

In accordance with the harmonised European Standard EN 474-5, hydraulic excavators used for lifting operations must be equipped with pipe fracture safety valves, an overload warning device, a load lift hook and a lift capacity chart.

Lift Capacities

with Offset Two-Piece Boom 5.00 m, EW-Undercarriage

Stick 2.45 m		Undercarriage stabilized		3.0 m		4.5 m		6.0 m		7.5 m		m	
m	rear	front	m		m		m		m		m		m
9.0	—	—											
7.5	Blade	—			3.5*	3.5*						2.0*	2.0*
6.0	Blade	—			3.5*	3.5*						2.0*	2.0*
4.5	Blade	—			4.4*	4.4*	3.2	3.4*				1.8*	1.8*
3.0	Blade	—			4.4*	4.4*	3.4*	3.4*				1.8*	1.8*
1.5	Blade	—			8.8	10.8*	4.9	6.9*	3.2	4.6	2.0	3.1	1.8*
0	Blade	—			9.7	10.8*	5.4	6.9*	3.5	5.4*	2.2	3.1*	1.8*
-1.5	Blade	—			10.8*	10.8*	6.9*	6.9*	4.9	5.4*	3.1*	3.1*	1.8*
-3.0	Blade	—			8.5	11.6*	4.8	6.8	3.1	4.6	1.9	3.0	1.7
-4.5	Blade	—			9.4	11.6*	5.3	7.9*	3.4	5.7*	2.2	3.9*	1.9*
	Blade	—			11.6*	11.6*	7.2	7.9*	4.8	5.7*	3.2	3.9*	1.9*
	Blade	—			8.6	12.6*	4.7	6.9	2.9	4.4	1.8	2.9	1.7
	Blade	—			9.5	12.6*	5.2	8.1*	3.2	5.9*	2.1	3.5*	2.0
	Blade	—			12.6*	12.6*	7.2	8.1*	4.7	5.9*	3.1	3.5*	2.2*
	Blade	—			8.1	13.2	4.4	6.8	2.6	4.1			1.9
	Blade	—			9.2	13.3*	4.9	8.3*	3.0	5.9*			2.1
	Blade	—			13.3*	13.3*	7.4	8.3*	4.4	5.9*			2.7*
	Blade	—			7.8	13.6	4.0	6.4	2.5	4.0			2.4
	Blade	—			9.0	13.8*	4.5	8.0*	2.8	4.2*			2.7
	Blade	—			13.8*	13.8*	6.9	8.0*	4.2*	4.2*			3.6*

Stick 2.65 m		Undercarriage stabilized		3.0 m		4.5 m		6.0 m		7.5 m		m	
m	rear	front	m		m		m		m		m		m
9.0	—	—											
7.5	Blade	—					3.5*	3.5*					1.9*
6.0	Blade	—					3.5*	3.5*					1.9*
4.5	Blade	—					4.0*	4.0*	3.2	3.4*			1.6*
3.0	Blade	—					4.0*	4.0*	3.4*	3.4*			1.6*
1.5	Blade	—					8.8	10.3*	4.9	6.7*	3.2	4.6	2.0
0	Blade	—					9.8	10.3*	5.4	6.7*	3.6	5.2*	2.3
-1.5	Blade	—					10.3*	10.3*	6.7*	6.7*	4.8	5.2*	3.3
-3.0	Blade	—					8.5	11.5*	4.8	6.8	3.1	4.6	1.9
-4.5	Blade	—					9.4	11.5*	5.2	7.7*	3.4	5.7*	2.2
	Blade	—					11.5*	11.5*	7.2	7.7*	4.8	5.7*	3.2
	Blade	—					8.5	12.4*	4.7	6.8	2.9	4.4	1.8
	Blade	—					9.5	12.4*	5.3	8.0*	3.2	5.8*	2.1
	Blade	—					12.4*	12.4*	7.2	8.0*	4.7	5.8*	3.1
	Blade	—					8.1	13.0	4.4	6.9	2.6	4.1	
	Blade	—					9.2	13.2*	4.9	8.2*	3.0	5.9*	
	Blade	—					13.2*	13.2*	7.4	8.2*	4.5	5.9*	
	Blade	—					7.9	13.7	4.0	6.4	2.5	4.0	
	Blade	—					9.0	13.9*	4.5	8.2*	2.8	4.7*	
	Blade	—					13.9*	13.9*	7.0	8.2*	4.3	4.7*	
	Blade	—					7.5	8.8*					5.5
	Blade	—					8.6	8.8*					6.3
	Blade	—					8.8*	8.8*					6.5*

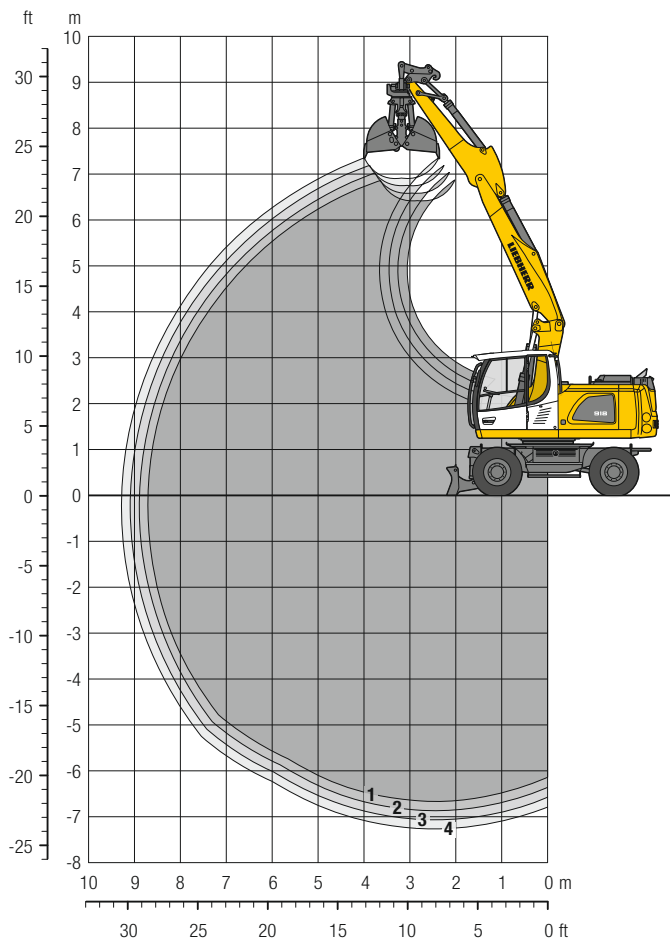
Height Can be slewed through 360° In longitudinal position of undercarriage Max. reach * Limited by hydr. capacity

The lift capacities on the load lift hook of the Liebherr quick coupler SWA 33 without attachment are stated in metric tons (t) and are valid on a firm, level supporting surface with blocked oscillating axle. These capacities can be slewed through 360° with the undercarriage in the transverse position. Capacities in the longitudinal position of the undercarriage (+/- 15°) are specified over the steering axle with the stabilizers raised and over the rigid axle with the stabilizers down. The values apply when the adjusting cylinder is in the optimal position. Indicated loads based on the ISO 10567 standard and do not exceed 75 % of tipping or 87 % of hydraulic capacity, or are limited by the permissible load of the load lift hook on the quick coupler (max. 5 t). Without the quick coupler, lift capacities will increase by up to 110 kg.

In accordance with the harmonised European Standard EN 474-5, hydraulic excavators used for lifting operations must be equipped with pipe fracture safety valves, an overload warning device, a load lift hook and a lift capacity chart.

Clamshell Grab

with Two-Piece Boom 5.25 m



Digging Envelope

with quick coupler		1	2	3	4
Stick length	m	2.05	2.25	2.45	2.65
Max. digging depth	m	6.70	6.90	7.10	7.30
Max. reach at ground level	m	8.70	8.90	9.10	9.30
Max. dumping height	m	6.45	6.60	6.80	6.95

Operating Weight

The operating weight includes the basic machine with 8 tyres plus intermediate rings, two-piece boom 5.25 m, stick 2.45 m, quick coupler SWA 33 and clamshell grab GM 10B/0.45 m³ (800 mm without ejector).

Undercarriage versions	Weight (kg)
A 918 Litronic [®] with rear blade	18,200
A 918 Litronic [®] with rear outriggers + front blade	19,100
A 918 Litronic [®] with rear + front outriggers	19,300
A 918 EW Litronic [®] with rear blade	18,300
A 918 EW Litronic [®] with rear outriggers + front blade	19,200

Clamshell Grab GM 10B Machine stability per ISO 10567* (75% of tipping capacity)

Width of clamshells mm	Capacity m ³	Weight kg	Stabilizers raised				Rear blade down				Rear outriggers + front blade down				Rear + front outriggers down				EW Stabilizers raised				EW Rear blade down				EW Rear outriggers + front blade down							
			Stick length (m)				Stick length (m)				Stick length (m)				Stick length (m)				Stick length (m)				Stick length (m)				Stick length (m)							
			2.05	2.25	2.45	2.65	2.05	2.25	2.45	2.65	2.05	2.25	2.45	2.65	2.05	2.25	2.45	2.65	2.05	2.25	2.45	2.65	2.05	2.25	2.45	2.65	2.05	2.25	2.45	2.65	2.05	2.25	2.45	2.65
320 ¹⁾	0.17	850	■	■	■	■	■	■	■	■	■	■	■	■	■	■	■	■	■	■	■	■	■	■	■	■	■	■	■	■	■	■	■	■
400 ¹⁾	0.22	890	■	■	■	■	■	■	■	■	■	■	■	■	■	■	■	■	■	■	■	■	■	■	■	■	■	■	■	■	■	■	■	■
500 ¹⁾	0.30	920	■	■	■	■	■	■	■	■	■	■	■	■	■	■	■	■	■	■	■	■	■	■	■	■	■	■	■	■	■	■	■	■
600 ¹⁾	0.35	970	■	■	■	■	■	■	■	■	■	■	■	■	■	■	■	■	■	■	■	■	■	■	■	■	■	■	■	■	■	■	■	■
800 ¹⁾	0.45	1,020	■	■	■	■	■	■	■	■	■	■	■	■	■	■	■	■	■	■	■	■	■	■	■	■	■	■	■	■	■	■	■	■
1,000 ¹⁾	0.60	1,080	■	■	■	△	■	■	■	■	■	■	■	■	■	■	■	■	■	■	■	■	■	■	■	■	■	■	■	■	■	■	■	■
320 ²⁾	0.17	900	■	■	■	■	■	■	■	■	■	■	■	■	■	■	■	■	■	■	■	■	■	■	■	■	■	■	■	■	■	■	■	■
400 ²⁾	0.22	950	■	■	■	■	■	■	■	■	■	■	■	■	■	■	■	■	■	■	■	■	■	■	■	■	■	■	■	■	■	■	■	■
600 ²⁾	0.35	1,070	■	■	■	■	■	■	■	■	■	■	■	■	■	■	■	■	■	■	■	■	■	■	■	■	■	■	■	■	■	■	■	■
800 ²⁾	0.45	1,160	■	■	■	■	■	■	■	■	■	■	■	■	■	■	■	■	■	■	■	■	■	■	■	■	■	■	■	■	■	■	■	■
1,000 ²⁾	0.60	1,220	■	△	△	△	■	■	■	■	■	■	■	■	■	■	■	■	■	■	■	■	■	■	■	■	■	■	■	■	■	■	■	■

* Indicated loads are based on ISO 10567 and do not exceed 75% of tipping or 87% of hydraulic capacity, max. stick length without quick coupler, lifted 360° on firm with blocked oscillating axle

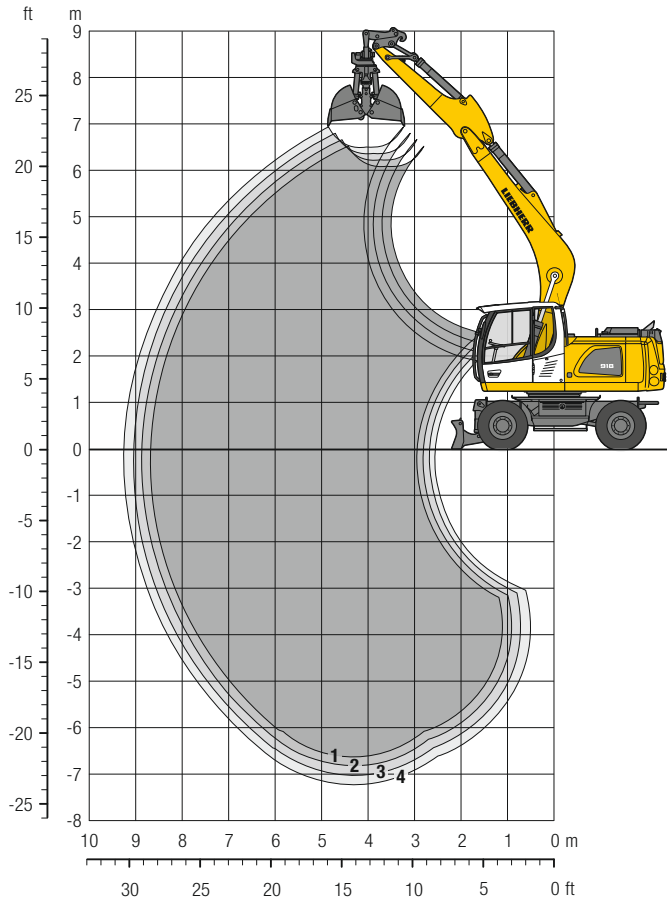
¹⁾ without ejector

²⁾ with ejector

Max. material weight ■ = ≤ 1.8 t/m³, ■ = ≤ 1.5 t/m³, △ = ≤ 1.2 t/m³, – = not authorised

Clamshell Grab

with Mono Boom 5.30 m



Digging Envelope

with quick coupler		1	2	3	4
Stick length	m	2.05	2.25	2.45	2.65
Max. digging depth	m	6.65	6.85	7.05	7.25
Max. reach at ground level	m	8.70	8.90	9.05	9.25
Max. dumping height	m	6.10	6.25	6.35	6.50

Operating Weight

The operating weight includes the basic machine with 8 tyres plus intermediate rings, mono boom 5.30 m, stick 2.45 m, quick coupler SWA 33 and clamshell grab GM 10B/0.45 m³ (800 mm without ejector).

Undercarriage versions	Weight (kg)
A 918 Litronic ² with rear blade	18,000
A 918 Litronic ² with rear outriggers + front blade	18,900
A 918 Litronic ² with rear + front outriggers	19,100
A 918 EW Litronic ² with rear blade	18,200
A 918 EW Litronic ² with rear outriggers + front blade	19,100

Clamshell Grab GM 10B Machine stability per ISO 10567* (75% of tipping capacity)

Width of clamshells mm	Capacity m ³	Weight kg	Stabilizers raised				Rear blade down				Rear outriggers + front blade down				Rear + front outriggers down				EW Stabilizers raised				EW Rear blade down				EW Rear outriggers + front blade down			
			Stick length (m)				Stick length (m)				Stick length (m)				Stick length (m)				Stick length (m)				Stick length (m)				Stick length (m)			
			2.05	2.25	2.45	2.65	2.05	2.25	2.45	2.65	2.05	2.25	2.45	2.65	2.05	2.25	2.45	2.65	2.05	2.25	2.45	2.65	2.05	2.25	2.45	2.65	2.05	2.25	2.45	2.65
320 ¹⁾	0.17	850	■	■	■	■	■	■	■	■	■	■	■	■	■	■	■	■	■	■	■	■	■	■	■	■	■	■	■	■
400 ¹⁾	0.22	890	■	■	■	■	■	■	■	■	■	■	■	■	■	■	■	■	■	■	■	■	■	■	■	■	■	■	■	■
500 ¹⁾	0.30	920	■	■	■	■	■	■	■	■	■	■	■	■	■	■	■	■	■	■	■	■	■	■	■	■	■	■	■	■
600 ¹⁾	0.35	970	■	■	■	■	■	■	■	■	■	■	■	■	■	■	■	■	■	■	■	■	■	■	■	■	■	■	■	■
800 ¹⁾	0.45	1,020	■	■	■	■	■	■	■	■	■	■	■	■	■	■	■	■	■	■	■	■	■	■	■	■	■	■	■	■
1,000 ¹⁾	0.60	1,080	■	■	△	△	■	■	■	■	■	■	■	■	■	■	■	■	■	■	■	■	■	■	■	■	■	■	■	■
320 ²⁾	0.17	900	■	■	■	■	■	■	■	■	■	■	■	■	■	■	■	■	■	■	■	■	■	■	■	■	■	■	■	■
400 ²⁾	0.22	950	■	■	■	■	■	■	■	■	■	■	■	■	■	■	■	■	■	■	■	■	■	■	■	■	■	■	■	■
600 ²⁾	0.35	1,070	■	■	■	■	■	■	■	■	■	■	■	■	■	■	■	■	■	■	■	■	■	■	■	■	■	■	■	■
800 ²⁾	0.45	1,160	■	■	■	■	■	■	■	■	■	■	■	■	■	■	■	■	■	■	■	■	■	■	■	■	■	■	■	■
1,000 ²⁾	0.60	1,220	■	△	△	-	■	■	■	■	■	■	■	■	■	■	■	■	■	■	■	■	■	■	■	■	■	■	■	■

* Indicated loads are based on ISO 10567 and do not exceed 75% of tipping or 87% of hydraulic capacity, max. stick length without quick coupler, lifted 360° on firm with blocked oscillating axle

¹⁾ without ejector

²⁾ with ejector

Max. material weight ■ = ≤ 1.8 t/m³, ■ = ≤ 1.5 t/m³, △ = ≤ 1.2 t/m³, - = not authorised

Equipment

Undercarriage

Dual-circuit braking system	•
Rear stabilizer blade	+
Rear stabilizer blade + front outriggers	+
Lighting trailer coupling	+
Trailer coupling with bolt, automatic	+
Digging brake, automatic	•
Tyres (twin tyres) Liebherr EM 22 290/90-20	+
Individual control outriggers	+
Travel speed levels (four)	•
Tilt function of trailer, hydraulic	+
Mudguards (rear and front)	+
Load holding valve on each stabilization cylinder	•
Powershift transmission, semiautomatic	•
Parking brake, maintenance-free	•
Rear outriggers + front stabilizer blade	+
Rear + front outriggers	+
Tyres, variants	+
Protection for piston rods, stabilizer cylinder	+
Speeder**	+
Storage compartment left – lockable	•
Storage compartment right – lockable	+
Undercarriage EW 2.75 m/9'	+
Tool equipment, extended	+

Uppercarriage

Uppercarriage right side light, 1 piece, LED	+
Uppercarriage rear light, 2 pieces, LED	+
Refuelling system with filling pump	+
Main battery switch for electrical system	•
Engine hood with gas spring	•
Amber beacon, at uppercarriage, LED double flash	+
Service doors, lockable	•

Hydraulic System

Shut-off valve between hydraulic tank and pump(s)	•
Pressure test fittings	•
Accumulator for controlled lowering of the equipment with the engine shut down	•
Hydraulic oil filter with integrated microfilter	•
Liebherr hydraulic oil from –20 °C to +40 °C	•
Liebherr hydraulic oil, biologically degradable	+
Liebherr hydraulic oil, specially for warm or cold regions	+
Bypass filter	+
Switchover high pressure circuit and tipping cylinder	+
Switchover high pressure circuit and two-piece boom	+

Diesel Engine

Fuel anti-theft device	+
Liebherr particle filter (Stage V)	•
Liebherr particle filter (Stage Tier 4f)	•
Reversible fan drive, fully automatic	+
Air pre-filter with dust discharge	+
Automatic engine shut-down (time adjustable)	+
Preheating fuel	+
Preheating coolant*	+
Preheating engine oil*	+

Operator's Cab

Storage compartment	•
Cab lights rear, LED	+
Cab lights front, halogen (under rain cover)	•
Cab lights front, LED (above rain cover)	+
Cab lights front, LED (under rain cover)	+
Exterior mirror, electrical adjustable, with heating	+
Mechanical hour meters, readable from outside the cab	•
Roof window made from impact-resistant laminated safety glass	+
Slewing gear brake Comfort, button on the left or right joystick	+
Operator's seat Standard	•
Operator's seat Comfort	+
Operator's seat Premium	+
Driving alarm (acoustic signal is emitted during travel, can be switched ON/OFF)	+
Fire extinguisher	+
Front screen made from impact-resistant laminated safety glass – not adjustable	+
Windscreen retractable (including upper part)	•
Intermittent windscreen wiper with wiper washer	•
Cruise control	•
Rubber floor mat, removable	•
Dome light	•
Joystick steering	+
Coat hook	•
Automatic air conditioning	•
Fuel consumption indicator	•
Electric cooler	+
Steering wheel, wide version (cost-neutral option)	+
Steering column adjustable horizontally	•
LiDAT, vehicle fleet management	•
Emergency exit rear window	•
Positioning swing brake	+
Proportional control	•
Radio Comfort, control via display with handsfree set	+
Preparation for radio installation	•
Rain cover over front window opening	•
ROPS cab protection	•
Back-up alarm (acoustic signal is emitted traveling backward, can not be switched off)	+
Amber beacon, on cabin, LED double flash	+
All tinted windows	•
Windscreen wiper, roof	+
Windshield wiper, entire windscreen	•
Door with sliding window	•
Top guard	+
Front guard, adjustable	+
Right side window and windshield made from laminated safety glass	•
Sun visor	+
Sun blind	•
Auxiliary heating, adjustable (week time switch)	+
Electronic immobilizer	+
Cigarette lighter	•

Equipment



Equipment

Boom lights, 2 pieces, halogen	•
Boom lights, 2 pieces, LED	+
Stick lights, 2 pieces, LED	+
High pressure circuit incl. unpressurised return line and Tool Control	+
Electronic lift limitation	+
Security for hoist cylinder for hydraulic attachments	+
Load holding valve bucket cylinder	+
Load lug on stick	+
Leak oil line, additional for attachments	+
Liebherr ditch cleaning bucket	+
Liebherr quick coupler, hydraulic or mechanical	+
Liebherr tilt bucket	+
Liebherr tilt rotator	+
Liebherr sorting grab	+
Liebherr backhoe bucket	+
Liebherr tooth system	+
Liebherr clamshell grab	+
Medium pressure circuit incl. lines	+
Mono boom	+
Pipe fracture safety valves hoist cylinders	•
Pipe fracture safety valve stick cylinder	•
Return line, pressureless (in high pressure circuit option included)	+
Hose quick coupling at end of stick	•
Quick coupling system LIKUFIX	+
Protection for piston rod, bucket cylinder	+
Protection for bottom side of stick	+
Tool Control, 20 attachment adjustments selectable over the display	+
Overload warning device	•
Two-piece boom	+
Offset two-piece boom	+



Complete Machine

Lubrication	
Lubrication undercarriage, manually – decentralised (grease points)	•
Lubrication undercarriage, manually – centralised (one grease point)	+
Central lubrication system for uppercarriage and equipment, automatically (without quick coupler and connecting link) *	•
Central lubrication system, extension for quick coupler	+
Central lubrication system, extension for connecting link	+
Special coating	
Custom painting for attachments	+
Special coating, variants	+
Monitoring	
Rear view monitoring with camera	•
Side view monitoring with camera	•

• = Standard, + = Option

* = country-dependent, ** = depending upon the country partially only 25 km/h permitted

Options and / or special equipments, supplied by vendors other than Liebherr, are only to be installed with the knowledge and approval of Liebherr in order to retain warranty.

Liebherr-Hydraulikbagger GmbH

Liebherrstraße 12, D-88457 Kirchdorf/Iller

☎ +49 7354 80-0, Fax +49 7354 80-7294

www.liebherr.com, E-Mail: info.lhb@liebherr.com

www.facebook.com/LiebherrConstruction