

Wheeled Excavator

A 912 Compact

Litronic®

Generation

6

Operating Weight

13.000 – 14.200 kg

Engine

90 kW/122 HP

Stage V

Bucket Capacity

0.15 – 0.48 m³



LIEBHERR

Performance

Compact, Flexible – Perfect Combination
for Maximum Performance

Economy

A Sound Investment – Optimum Economy
and Environmentally Friendly

Operating Weight

13.000 – 14.200 kg

Engine

90 kW / 122 HP

Stage V

Bucket Capacity

0.15 – 0.48 m³



Reliability

Competence, Consistency,
Innovation – Proven Experience

Comfort

Ergonomic Excellence – Superior Cabin
Design for Operator Comfort and Wellbeing

Maintainability

Service Every Step of the Way –
Simple, Fast and Reliable



Performance



Compact, Flexible – Perfect Combination for Maximum Performance

Restricted construction sites in city centres, road construction, as well as classic earthmoving work, are an easy task for Liebherr Compact wheeled excavators. Improved payload to stage V, combined with speed and compact machine dimensions, deliver maximum performance and flexibility on all sites.

Maximum Performance

Flexibility

High digging forces despite a tight tail swing permit flexible usage on every construction site. Hard surfaces can be processed quickly and precisely, thus also ensuring maximum productivity.

Being Faster

Liebherr hydraulic excavators feature rapid, fluid movements combined with high precision. These properties are also available when simply driving the machine. For high acceleration and excellent drive features, particularly on gradients, the A 912 Compact has a powerful 4-cylinder Deutz TCD3.6L4 inline engine. The speed and precision of the machine can be adjusted using the MODE switch to suit a new task, which can also save fuel.

Joystick Steering

With the optional joystick steering, the driver can steer the wheeled excavator using the mini joystick. In this way, working and driving movements can be performed at the same time without having to change controls. More efficient operation for even greater productivity.



Four-wheel Steering & Crab Steering

- Considerably increased flexibility and agility
- Comfortable and quick implementing, even under constricted conditions
- Recommended for works in urban or narrow areas

Digging Force

- High digging and breakout force in the field
- Continuously high digging performance even in tough ground
- More digging force for faster results

Improved equipment

- Higher payloads due to the improved position of the slewing bearing
- Large side offset of the equipment for parallel work
- Protected internal adjustment cylinder
- Perfect equipment for constricted conditions

Precise Work

Working with Precision

The Liebherr joysticks enable the operator to intuitively and sensitively control the Liebherr hydraulic system to complete even the most challenging tasks quickly not just with reduced speed but also with maximum power output. Liebherr has been using an infinitely variable proportional controller with four axes for many years. The slim, ergonomically designed proportional sensors deliver additional functionality to the classic machine controller without having to reach for additional controls.

Automatic Digging Brake

The optional digging brake means that manual actuation of the brake pedal is no longer necessary in some applications. Particularly in applications with a frequent transfer of the excavator, this leads to quicker work processes and thus increases safety for people and the machine.

Economy



A Sound Investment – Optimum Economy and Environmentally Friendly

The mobile A 912 Compact wheeled excavator is a construction machine which delivers maximum productivity in conjunction with superb efficiency. The efficiency can be further enhanced with the use of fuel-saving Liebherr hydraulic oil or a Liebherr quick coupling system.

Maximum Efficiency

Stage V

The Deutz Diesel engine TCD3.6L4 is environmentally friendly thanks to its low fuel consumption and reduced emissions. To comply with stage V emission standards Liebherr uses an innovative SCR system (selective catalytic reduction) with diesel particle filter which doesn't reduce machine performance.

Engine Idling and Engine Shut-down

The standard automatic idling function reduces the engine speed to idle as soon as the operator takes his hand from the joystick so that no hydraulic function is activated. Proximity sensors in the joystick levers restore the original engine speed as soon as the operator's hand is moved towards the lever again. This ensures that the set engine speed is available immediately. The result is a combination of fuel saving and reduced noise levels. Operating costs can be reduced even further with the optional automatic engine shut-down function.

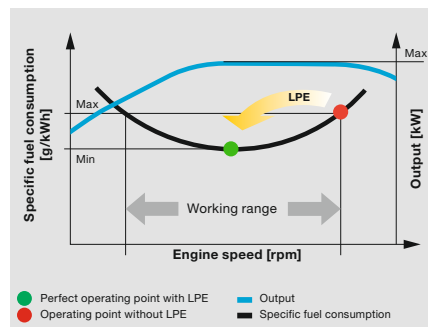
Increased Productivity

Liebherr Attachments and LIKUFIX

To boost the productivity of its construction machines, Liebherr offers a broad range of attachments for different fields of application. Furthermore, the hydraulic excavators can also be equipped with the Liebherr LIKUFIX hydraulic quick coupling system. The combination of a hydraulic Liebherr quick coupling system with the LIKUFIX coupling block permits fast safe changing of mechanical and hydraulic attachments from the operator's cabin. This boosts productivity on average by 30%.

Efficient Management

LiDAT, Liebherr's own data transmission and positioning system, facilitates efficient management, monitoring and control of the entire fleet in terms of machinery data recording, data analysis, fleet management and service. All of the important machinery data can be viewed at any time on a web browser. LiDAT provides you comprehensive work deployment documentation, greater availability thanks to shorter downtimes, faster support from the manufacturer, quicker detection of strain/overload and subsequently a longer service life of the machine as well as greater planning efficiency.



No Transport Costs

Liebherr wheeled excavators can be driven on public roads. Our standard speeder ensures that our machines can be driven to the next site very quickly. That means you do not need any complicated transport plans, saving you cash money.

Low Fuel Consumption Thanks to Intelligent Machine Control

- Liebherr-Power Efficiency (LPE) optimises the interaction of the drive components in terms of efficiency
- LPE enables machine operation in the area of the lowest specific fuel use for less consumption and greater efficiency with the same performance

Liebherr Quick Coupling System LIKUFIX

- Faster and safer changing of mechanical and hydraulic attachments from the operator's cabin
- Machine utilization increased to up to 90% thanks to extended deployment options
- Visual and acoustic check of correct locking position of tool at quick coupling system by two proximity sensors

Reliability



Competence, Consistency, Innovation – Proven Experience

Liebherr construction machines represent safety with customer-focussed sales and service partners. The quality and innovation of the machine provide security and play a key role in the success of the design specifications. An investment that pays off.

More Safety

Bright, Longlife Lighting

Various headlights provide optimal lighting in the working area, thus ensuring a better view and greater safety for people and the machine. The standard LED rear lights not only look great, they also have high luminosity and an extremely long life.

Pipe Fracture Safety Valves

The standard pipe fracture safety valves on the stick and hoist cylinders prevent the equipment from dropping in an unregulated way and ensure maximum safety during every operation.

Electronic Height Limit

For applications with protruding or overhanging components in the working area, the compact wheeled excavators can be optionally equipped with an electronic height limit. The maximum permissible working height can be freely selected and stops the movement of the equipment when the set working height is reached. This helps avoid damage to the machine and its environment.



High Machine Availability

Quality and Competence

Our experience, understanding of customer needs and the technical implementation of these findings guarantee the success of the product. For decades, Liebherr has been inspirational with its extensive production and system solutions. Key components such as the electronic components, slew ring, slew drive and hydraulic cylinders are developed and produced by Liebherr itself. The great depth of in-house manufacturing guarantees maximum quality and ensures that components are optimally configured to each other.

Robust Design

All steel components are designed and manufactured by Liebherr itself. High-strength steel plates configured for the toughest of requirements result in high torsional stiffness and optimum absorption of forces induced for a longer service life.

QPDM – Quality and Process Data Management

- QPDM allows production data to be logged, documented and evaluated
- Automation of documentation and test specifications
- Ability to handle large quantities and maintain uniform high quality

Less is More

- Extended range of possible applications due to a short tail swing radius of only 1.68 m
- Greater safety for man and machine
- Liebherr compact wheeled excavators: short and safe

More Rear Visibility – also at the Side

- The standard camera for rear-view and lateral monitoring gives the driver an optimal view of his working area and the surrounding machine area at all times
- Extensive glazing in combination with two standard monitoring cameras ensure safe handling of the machine at all times

Comfort



Ergonomic Excellence – Superior Cabin Design for Operator Comfort and Wellbeing

The modern Liebherr cab with an air-suspension heated driver's seat and automatic air-conditioning ensures a pleasant atmosphere, thus offering the best conditions for healthy and productive work whilst allowing the driver to work with full concentration. The ergonomic control elements with touchscreen display also simplify the operation of the wheeled excavator. The extensive safety equipment includes the rollover protection system (ROPS) for the cab fitted as standard according to ISO 12117-2.

First-class Cab

Automatic Air Conditioning

The optional automatic air conditioning offers a convincingly intuitive operation. Temperature, blower setting and the various air nozzles in the head, chest and foot areas are set using the touchscreen on the indicating unit. The defrost/defog one-button function clears fogged up windows in the shortest possible time. The filter for the cab air can be changed easily and conveniently from the outside.

Operator Seats

The Standard, Comfort and Premium operator's seat versions deliver maximum comfort. Even the standard operator seat offers an extensive range of features such as air suspension, seat heating, headrest, lumbar support and many more. A luxury which we believe every construction machine should provide.

Smooth Operation

The use of visco-elastic mounts, good noise insulation and modern, smooth Liebherr diesel engines minimise noise emissions and vibrations.

Comfortable Operation

Radio with Hands-free Device

The optional Liebherr radio is MP3-compatible, has a USB connection and can be used as interface for the integral hands-free kit. If the machine operator connects his smartphone to the radio using Bluetooth, the touchscreen can be used to control phone calls. Simple operation for greater comfort.

Standard Control Concept

Liebherr delivers an operator-focused control system which uses the same logic in all machine classes and generations. That means the machine operator is always faced with the same working environment. Clarity, ergonomics and safety are the principles we follow in the design phase. That means we avoid time-consuming re-familiarisation phases and allow the operator to work efficiently in his machine straight away. The two-hand control system is another core element of the Liebherr control concept. Whilst this delivers maximum safety by preventing operator errors (such as accidentally opening the quick coupler), it also improves productivity as the operator does not have to reposition his hands (for example grading with joystick control).



Refuelling

- Using the optional refuelling pump, the machine can be refuelled directly from a fuel container
- The tank hose integrated in the service door and the automatic shut-off when the tank is full offer greater convenience and short replenishment times
- Topping up – simple, quick and safe

Maximum Safety

- More convenient and safer entry and exit in and out of the cab thanks to added width from the folding arm console
- Three entry steps with standard anti-slip galvanised plates provide a boost to safety

Intuitive Operation

- Display of the machine data and camera image on the 7-inch indicating unit with touchscreen and direct access via menu bar
- 20 user-programmable memory slots for attachments, which can be used for quickly and easily setting the oil pressure and oil flow at the push of a button when changing tools
- Rear and side area monitoring provide optimum visibility of the working area at all times

Maintainability



Service Every Step of the Way – Simple, Fast and Reliable

Liebherr compact wheeled excavators are not only powerful, robust, precise and efficient, they also impress with the service-orientated machine design. Maintenance is performed quickly, simply and safely. This reduces maintenance costs and keeps machine downtimes to a minimum.

Simplified Maintenance Concept

Service-based Machine Design

The service-based machine design guarantees short servicing times, thus minimising maintenance costs due to the time it saves. All the maintenance points are easily accessible from the ground and easy to reach due to the large, wide-opening service doors. The enhanced service concept places the maintenance points close to each other and reduces their number to a minimum. This means that service work can be completed even more quickly and efficiently.

Hydraulic Oils with Added Value

Liebherr hydraulic oils achieve a service life of 6,000 operating hours plus. Instead of having defined change intervals, the results of the oil analysis (every 1,000 operating hours or after one year) determine when the oil needs to be changed. The unique Liebherr Hydraulic Plus oil can even achieve a service life of 8,000 operating hours plus at the same time reducing fuel consumption by up to 5%.

Maintenance without Draining the Oil

A cut-off valve isolating the oil reservoir from the hydraulic system is fitted as standard. This allows simple maintenance work to be performed on the hydraulic components without having to drain off the hydraulic fluid. Reduced maintenance time for greater machine availability.



Your Competent Service Partner

Remanufacturing

The Liebherr remanufacturing program offers cost-effective reconditioning of components to the highest quality standards. Various reconditioning levels available including replacement components and general overhaul or repair. The customer receives components with original part quality at a reduced cost.

Competent Advice and Service

Competent advice is a given at Liebherr. Experienced specialists provide advice for your specific requirements: application-oriented sales support, service agreements, cost-effective repair alternatives, original parts management, as well as remote data transmission for machine planning and fleet management.

Lubrication During Operation

- Fully automatic central lubrication system for the equipment and swing ring
- Can be expanded to the connecting link and quick coupler
- Lubrication without interrupting work for higher productivity

Excellent Service Access

- Large, wide-opening service doors
- Engine oil, fuel, air and cab air filters are easily and safely accessible from the ground
- The oil level in the hydraulic tank can be checked from the cab
- Standard magnetic rod in the hydraulic tank as reliable service indicator

Rapid Spare Parts Service

- 24-hour delivery: Spare parts service is available for our dealers around the clock
- Electronic spare parts catalogue: Fast and reliable selection and ordering via the Liebherr online portal
- With online tracking, the current processing status of your order can be viewed at any time

Wheeled Excavator A 912 Compact Litronic

Overview

Superbly Designed Equipment for Maximum Reliability

- Liebherr hydraulic cylinders
- Pipe fracture safety valves hoisting and stick cylinders
- Lateral adjustment with articulated joint
- Overload warning device
- Electronic lift limitation (optional)
- Liebherr quick coupling systems (optional)
- Wide selection of Liebherr attachments (optional)

Simplified Maintenance Concept for Maximum Productivity

- Fully automatic central lubrication system for uppercarriage and equipment
- Large, wide-opening service doors
- Central maintenance points accessible from the ground
- Hydraulic shut-off lock
- Cab air filter can be replaced quickly and conveniently from outside





Ergonomic Operator's Work Station for Maximum Comfort

- Operator's seat Comfort or Premium (optional)
- Automatic air-conditioning system (optional)
- 7" high resolution colour display with touchscreen operation
- Resonant arm console and ergonomic joysticks
- Folding arm console, left
- Proportional control with 4-way mini-joystick
- Joystick steering (optional)
- Large windows
- Convenient radio operation with hands-free device
- Tool Control for attachments
- LED headlights (optional)
- Rear and side monitor

Superior Technology for Highest Economy

- Diesel engine compliant with stage V
- Emissions treatment with SCR technology and diesel particle filter
- Liebherr-Power-Efficiency (LPE)
- Load-sensing-control
- MODE selection (Sensitive, ECO, Power)
- Sensor-controlled automatic idling system

Perfect Combination for Highest Possible Performance

- Short tail swing radius
- 4-wheel steering (optional)
- Various support versions, welded on
- Divided blade (optional)
- Liebherr tyres without intermediate ring (optional)
- Automatic working brake (optional)

Technical Data



Diesel Engine

Rating per ISO 9249	90 kW (122 HP) at 1,800 RPM
Model	Deutz TCD3.6L4
Type	4 cylinder in-line
Bore/Stroke	98/120 mm
Displacement	3.6 l
Engine operation	4-stroke diesel Common-Rail turbo-charged and after-cooled reduced emissions
Air cleaner	dry-type air cleaner with pre-cleaner, primary and safety elements
Engine idling	sensor controlled
Electrical system	
Voltage	24 V
Batteries	2 x 135 Ah/12 V
Alternator	three-phase current 28 V/80 A
Stage V	
Harmful emissions values	according to regulation (EU) 2016/1628
Emission control	Deutz DOC/DPF + SCR
Fuel tank	175 l
Urea tank	20 l



Cooling System

Diesel engine	water-cooled compact cooling system consisting cooling unit for water, hydraulic oil and charge air with stepless thermostatically controlled fan, fans for radiator cleaning can be completely folded away
----------------------	----------------------------------------------------------------------------------------------------------------------------------------------------------------------------------------------------------------



Hydraulic Controls

Power distribution	via control valves with integrated safety valves, simultaneous and independent actuation of chassis, swing drive and equipment
Servo circuit	
Equipment and swing	with hydraulic pilot control and proportional joystick levers
Chassis	electroproportional via foot pedal
Proportional control	proportionally acting transmitters on the joysticks for additional hydraulic functions



Hydraulic System

Hydraulic pump	for equipment and travel drive Liebherr axial piston variable displacement pump
Max. flow	195 l/min.
Max. pressure	350 bar
Hydraulic pump regulation and control	Liebherr-Synchron-Comfort-system (LSC) with electronic engine speed sensing regulation, pressure and flow compensation, torque controlled swing drive priority
Hydraulic tank	100 l
Hydraulic system	max. 230 l
Hydraulic oil filter	1 main return filter with integrated partial micro filtration (5 µm)
MODE selection	adjustment of engine and hydraulic performance via a mode pre-selector to match application, e.g. for especially economical and environmentally friendly operation or for maximum digging performance and heavy-duty jobs
S (Sensitive)	mode for precision work and lifting through very sensitive movements
E (Eco)	mode for especially economical and environmentally friendly operation
P (Power)	mode for high performance with low fuel consumption
Engine speed and performance setting	stepless alignment of engine output and hydraulic power via engine speed
Option	Tool Control: 20 preadjustable pump flows and pressures for add-on attachments



Swing Drive

Drive	Liebherr axial piston motor with integrated brake valve and torque control, Liebherr planetary reduction gear
Swing ring	Liebherr, sealed race ball bearing swing ring, internal teeth
Swing speed	0 – 10.0 RPM stepless
Swing torque	33 kNm
Holding brake	wet multi-disc (spring applied, pressure released)
Option	pedal controlled positioning swing brake slewing gear brake Comfort



Operator's Cab

Cab	ROPS safety cab structure (roll-over protection system) with individual windscreens or featuring a slide-in subpart under the ceiling, work headlights integrated in the ceiling, a door with a sliding window (can be opened on both sides), large stowing and depositing possibilities, shock-absorbing suspension, sounddamping insulating, tinted laminated safety glass, separate window shades for the sunroof window and windscreen
Operator's seat Standard	air cushioned operator's seat with 3D-adjustable armrests, headrest, lap belt, seat heater, manual weight adjustment, adjustable seat cushion inclination and length and mechanical lumbar vertebrae support
Operator's seat Comfort (Option)	in addition to operator's seat standard: lockable horizontal suspension, automatic weight adjustment, adjustable suspension stiffness, pneumatic lumbar vertebrae support and passive seat climatisation with active coal
Operator's seat Premium (Option)	in addition to operator's seat comfort: active electronic weight adjustment (automatic re-adjustment), pneumatic low frequency suspension and active seat climatisation with active coal and ventilator
Control system	joysticks with control consoles and swivel seat, folding left control console
Operation and displays	large high-resolution operating unit, self-explanatory, colour display with touchscreen, video-compatible, numerous setting, control and monitoring options, e.g. air conditioning control, fuel consumption, machine and attachment parameters
Air-conditioning	automatic air-conditioning including demisting (optional). Automatic heating and ventilation system (standard): fast de-icing at the press of a button, air vents can be operated via a menu; recirculated air and fresh air filters can be easily replaced and are accessible from the outside; designed for extreme outside temperatures, sensors for solar radiation, inside and outside temperatures
Refrigerant	R134a
Global warming potential	1,430
Quantity at 25 °C	1,300 g
CO ₂ equivalent	1.859 t
Vibration emission*	
Hand/arm vibrations	< 2.5 m/s ²
Whole-body vibrations	< 0.5 m/s ²
Measuring inaccuracy	according with standard EN 12096:1997



Undercarriage

Drive	oversized two speed power shift transmission with additional creeper speed, Liebherr axial piston motor with functional brake valve on both sides
Pulling force	84 kN
Travel speed	0 – 3.5 km/h stepless (creeper speed off-road) 0 – 7.0 km/h stepless (off-road) 0 – 13.0 km/h stepless (creeper speed on-road) 0 – 20.0 km/h stepless (road travel) 0 – max. 25.0 or 30.0 km/h Speeder (Option)
Driving operation	automotive driving using accelerator pedal, cruise control function: storage of variable accelerator pedal positions, both off-road and on-road
Axes	manual or automatic hydraulically controlled front axle oscillation lock
Option	four wheel steering
Service brake	two circuit travel brake system with accumulator; wet and backlash-free disc brake
Holding brake	wet multi-disc (spring applied, pressure released)
Stabilization	rear stabilizer blade (adjustable during travel for dozing) rear outriggers rear outriggers + front stabilizer blade rear two-piece stabilizer blade rear two-piece + front stabilizer blade



Equipment

Type	high-strength steel plates at highly stressed points for the toughest requirements. Complex and stable mountings of equipment and cylinders
Hydraulic cylinders	Liebherr cylinders with special sealing and guide system and, depending on cylinder type, shock absorption
Bearings	sealed, low maintenance

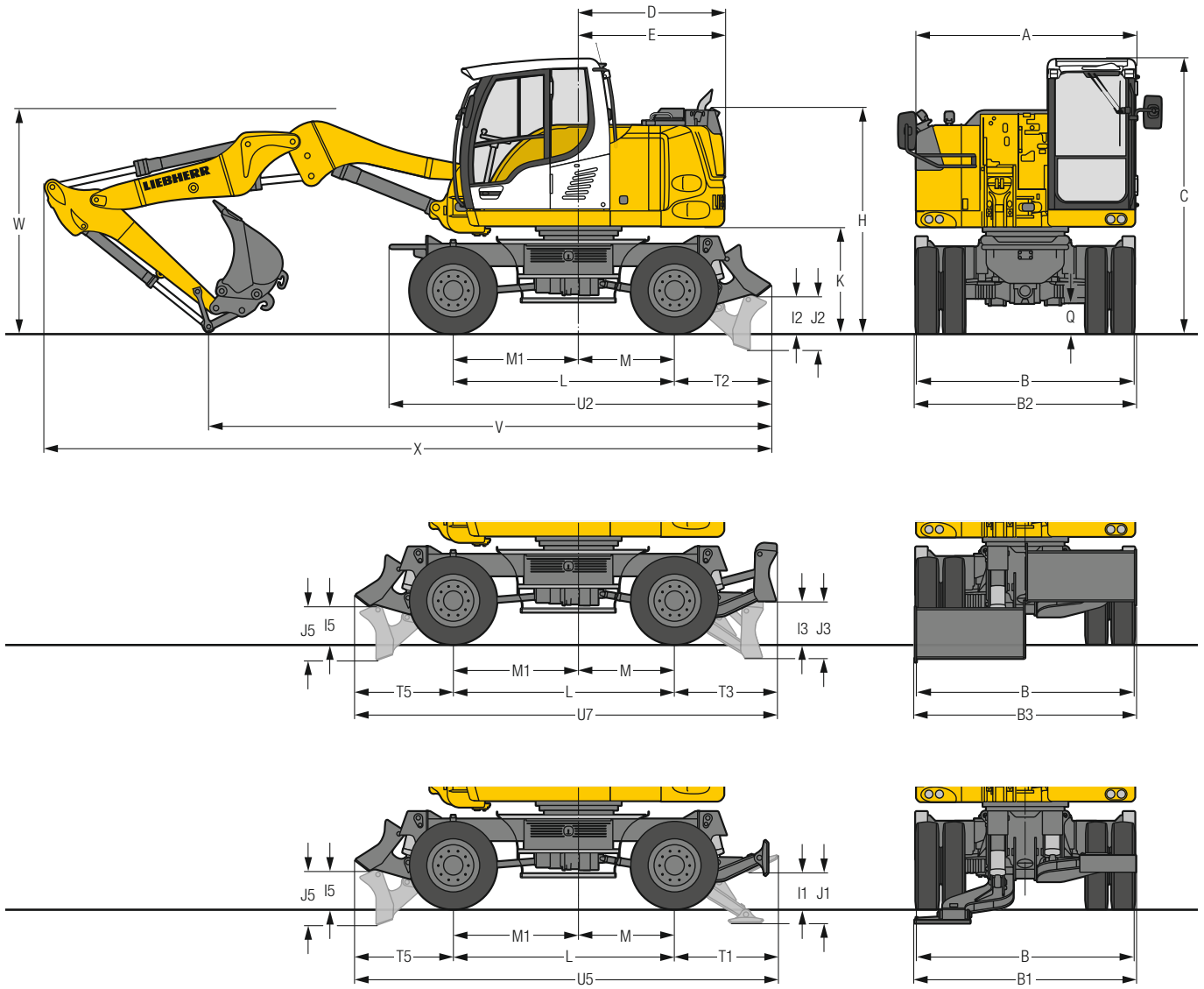


Complete Machine

Lubrication	
Option	Liebherr central lubrication system for upper-carriage and equipment, automatically
Noise emission	
ISO 6396	L _{PA} (inside cab) = 71 dB(A)
2000/14/EC	L _{WA} (surround noise) = 99 dB(A)

* for risk assessment according to 2002/44/EC see ISO/TR 25398:2006

Dimensions

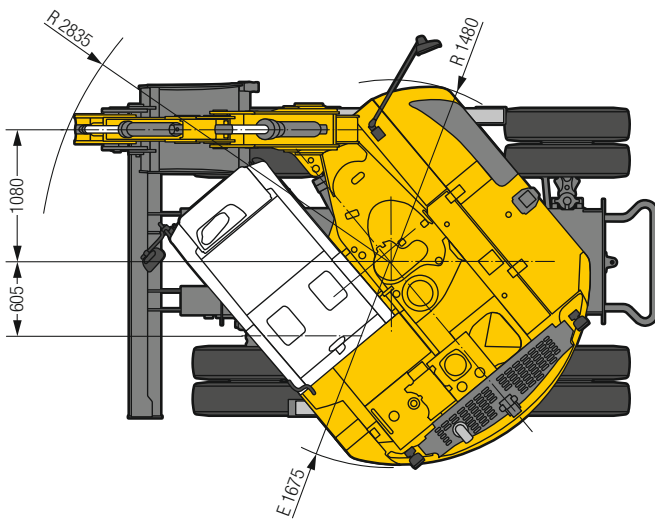


	mm
A	2,525
B	2,550
B1	2,550
B2	2,550
B3	2,550
C	3,150
D	1,675
E	1,675
H	2,575
I1	405
I2	420
I3	465
I5	420
J1	585
J2	625
J3	650
J5	625
K	1,210
L	2,540
M	1,100
M1	1,440
Q	340
T1	1,185
T2	1,105
T3	1,170
T5	1,120
U2	4,375
U5	4,850
U7	4,835

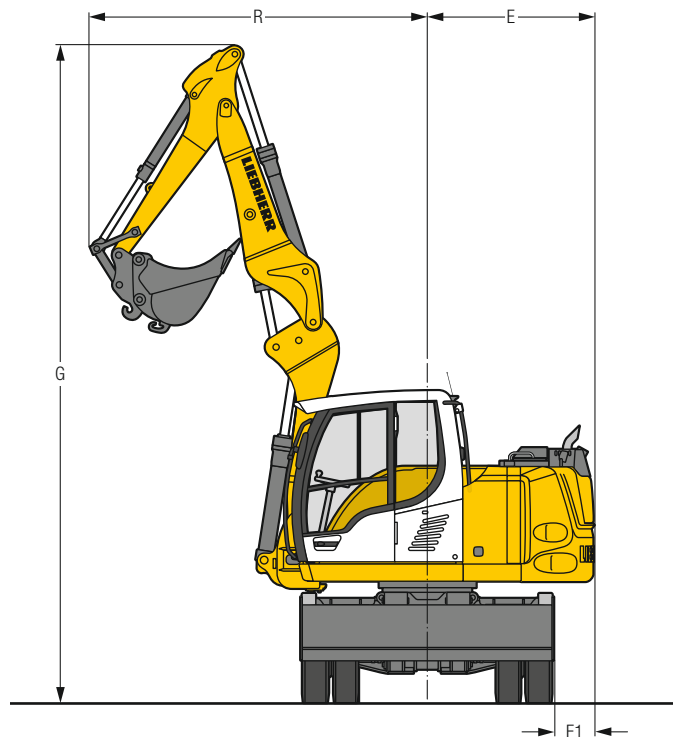
E = Tail radius
Tyres 9.00-20

Stick	Two-piece boom 4.25 m				
	Rear blade	Rear outriggers	Rear outriggers + front blade	Rear two-piece blade	Rear two-piece + front blade
m	mm	mm	mm	mm	mm
V	1.85	6,450	6,550	6,550	6,550
	2.05	6,150	6,250	6,250	6,200
W	1.85	2,550	2,550	2,550	2,550
	2.05	2,550	2,550	2,550	2,550
X	1.85	8,350	8,450	8,450	8,400
	2.05	8,350	8,450	8,450	8,450

Dimensions are with equipment over steering axle
W = Max. ground clearance including approx. 150 mm piping



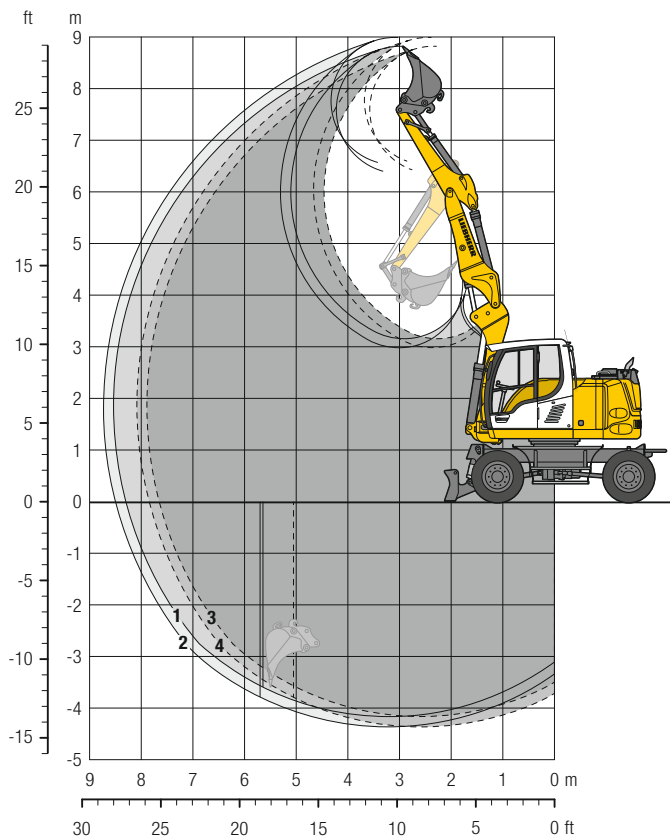
Min. turning radius on tyres 9.00-20
Four wheel steering 4,29 m Front wheel steering 6,55 m



Boom	Stick m	G mm	R mm	E mm	E1 mm
Two-piece boom	1.85	6,620	3,210	1,675	405
Two-piece boom	2.05	6,620	3,305	1,675	405

Backhoe Bucket

with Two-Piece Boom 4.25 m



Digging Envelope

with quick coupler	1	2
Stick length	m 1.85	2.05
Max. digging depth	m 4.15	4.35
Max. reach at ground level	m 8.30	8.50
Max. dumping height	m 6.40	6.55
Max. teeth height	m 8.80	9.00
Min. equipment radius	m 3.21	3.31

3 with stick 1.85 m at max. equipment offset

4 with stick 2.05 m at max. equipment offset

Digging Forces

without quick coupler	1	2
Max. digging force (ISO 6015)	kN 56.0	51.8
	t 5.7	5.3
Max. breakout force (ISO 6015)	kN 70.8	70.8
	t 7.2	7.2

Operating Weight

The operating weight includes the basic machine with 8 tyres plus intermediate rings, two-piece boom 4.25 m, quick coupler SWA 33 and bucket 750 mm/0.33 m³.

Undercarriage versions	Weight (kg)
A 912 Compact Litronic with rear blade	13,000
A 912 Compact Litronic with rear two-piece blade	13,400
A 912 Compact Litronic with rear outriggers	13,000
A 912 Compact Litronic with rear two-piece + front blade	14,100
A 912 Compact Litronic with rear outriggers + front blade	13,800

Buckets Machine stability per ISO 10567* (75% of tipping capacity)

Cutting width mm	Capacity ISO 7451 ¹⁾ m ³	Weight kg	Stabilizers raised		Rear blade down		Rear two-piece blade down		Rear outriggers down		Rear two-piece + front blade down		Rear outriggers + front blade down	
			Stick length (m)		Stick length (m)		Stick length (m)		Stick length (m)		Stick length (m)		Stick length (m)	
			1.85	2.05	1.85	2.05	1.85	2.05	1.85	2.05	1.85	2.05	1.85	2.05
300 ²⁾	0.15	160	■	■	■	■	■	■	■	■	■	■	■	■
400 ²⁾	0.20	190	■	■	■	■	■	■	■	■	■	■	■	■
450 ²⁾	0.20	170	■	■	■	■	■	■	■	■	■	■	■	■
550 ²⁾	0.22	190	■	■	■	■	■	■	■	■	■	■	■	■
650 ²⁾	0.27	210	■	■	■	■	■	■	■	■	■	■	■	■
750 ²⁾	0.33	230	■	■	■	■	■	■	■	■	■	■	■	■
850 ²⁾	0.38	240	■	■	■	■	■	■	■	■	■	■	■	■
950 ²⁾	0.44	270	■	■	■	■	■	■	■	■	■	■	■	■
300 ³⁾	0.15	150	■	■	■	■	■	■	■	■	■	■	■	■
400 ³⁾	0.21	180	■	■	■	■	■	■	■	■	■	■	■	■
450 ³⁾	0.21	160	■	■	■	■	■	■	■	■	■	■	■	■
550 ³⁾	0.24	190	■	■	■	■	■	■	■	■	■	■	■	■
650 ³⁾	0.30	210	■	■	■	■	■	■	■	■	■	■	■	■
750 ³⁾	0.35	220	■	■	■	■	■	■	■	■	■	■	■	■
850 ³⁾	0.42	240	■	■	■	■	■	■	■	■	■	■	■	■
950 ³⁾	0.48	270	■	■	■	■	■	■	■	■	■	■	■	■

* Indicated loads are based on ISO 10567 and do not exceed 75% of tipping or 87% of hydraulic capacity, max. stick length without quick coupler, lifted 360° on firm with blocked oscillating axle

¹⁾ comparable with SAE (heaped)

²⁾ Bucket with teeth (also available in HD version)

³⁾ Bucket with cutting edge (also available in HD version)















Buckets up to 400 mm cutting width with limited digging depth

Max. material weight ■ = ≤ 1.8 t/m³, ■ = ≤ 1.5 t/m³, △ = ≤ 1.2 t/m³, - = not authorised

Lift Capacities

with Two-Piece Boom 4.25 m

Stick 1.85 m

m	Undercarriage stabilized		2.0 m		3.0 m		4.0 m		5.0 m		6.0 m		7.0 m		m		
	rear	front															
7.0	—	—													2.2	2.2*	4.9
	Blade	—													2.2*	2.2*	
	Two-piece blade	—													2.2*	2.2*	
	Outriggers	—													2.2*	2.2*	
	Two-piece blade Outriggers	Blade Blade													2.2*	2.2*	
6.0	—	—							2.2	2.7*	1.6	2.0*			1.5	1.9*	6.0
	Blade	—							2.5	2.7*	1.8	2.0*			1.7	1.9*	
	Two-piece blade	—							2.6	2.7*	1.8	2.0*			1.8	1.9*	
	Outriggers	—							2.5	2.7*	1.8	2.0*			1.8	1.9*	
	Two-piece blade Outriggers	Blade Blade							2.7*	2.7*	2.0*	2.0*			1.9*	1.9*	
5.0	—	—							2.2	2.8*	1.6	2.7*			1.2	1.8*	6.8
	Blade	—							2.5	2.8*	1.8	2.7*			1.4	1.8*	
	Two-piece blade	—							2.5	2.8*	1.9	2.7*			1.5	1.8*	
	Outriggers	—							2.5	2.8*	1.8	2.7*			1.4	1.8*	
	Two-piece blade Outriggers	Blade Blade							2.8*	2.8*	2.3	2.7*			1.8*	1.8*	
4.0	—	—					3.0	3.2*	2.2	3.2*	1.6	2.7	1.2	2.1	1.1	1.8*	7.2
	Blade	—					3.2*	3.2*	2.4	3.2*	1.8	2.8*	1.3	2.3*	1.3	1.8*	
	Two-piece blade	—					3.2*	3.2*	2.5	3.2*	1.9	2.8*	1.4	2.3*	1.3	1.8*	
	Outriggers	—					3.2*	3.2*	2.4	3.2*	1.8	2.8*	1.3	2.3*	1.3	1.8*	
	Two-piece blade Outriggers	Blade Blade					3.2*	3.2*	3.0	3.2*	2.3	2.8*	1.8	2.3*	1.6	1.8*	
3.0	—	—			4.5	6.3*	2.9	4.8*	2.1	3.5	1.6	2.7	1.2	2.1	1.0	1.8*	7.5
	Blade	—			5.1	6.3*	3.3	4.8*	2.4	3.6*	1.8	3.0*	1.3	2.6*	1.2	1.8*	
	Two-piece blade	—			5.3	6.3*	3.4	4.8*	2.4	3.6*	1.9	3.0*	1.4	2.6*	1.2	1.8*	
	Outriggers	—			5.1	6.3*	3.3	4.8*	2.4	3.6*	1.8	3.0*	1.3	2.6*	1.2	1.8*	
	Two-piece blade Outriggers	Blade Blade			6.3*	6.3*	4.1	4.8*	3.0	3.6*	2.3	3.0*	1.7	2.6*	1.5	1.8*	
2.0	—	—			4.4	6.7*	2.9	4.9	2.1	3.5	1.6	2.7	1.1	2.1	0.9	1.8	7.6
	Blade	—			5.0	6.7*	3.2	5.7*	2.4	4.0*	1.8	3.2*	1.3	2.7*	1.1	1.9*	
	Two-piece blade	—			5.1	6.7*	3.3	5.7*	2.4	4.0*	1.8	3.2*	1.4	2.7*	1.1	1.9*	
	Outriggers	—			5.0	6.7*	3.2	5.7*	2.4	4.0*	1.8	3.2*	1.3	2.7*	1.1	1.9*	
	Two-piece blade Outriggers	Blade Blade			6.4	6.7*	4.1	5.7*	2.9	4.0*	2.3	3.2*	1.7	2.7*	1.5	1.9*	
1.0	—	—	3.1*	3.1*	4.1	7.7*	2.7	4.9	2.0	3.5	1.5	2.7	1.1	2.0	0.9	1.8	7.6
	Blade	—	3.1*	3.1*	4.7	7.7*	3.1	5.8*	2.3	4.2*	1.7	3.3*	1.3	2.7*	1.1	2.0*	
	Two-piece blade	—	3.1*	3.1*	4.9	7.7*	3.2	5.8*	2.3	4.2*	1.8	3.3*	1.3	2.7*	1.1	2.0*	
	Outriggers	—	3.1*	3.1*	4.7	7.7*	3.1	5.8*	2.3	4.2*	1.7	3.3*	1.3	2.7*	1.1	2.0*	
	Two-piece blade Outriggers	Blade Blade			3.1*	3.1*	6.3	7.7*	4.1	5.8*	2.9	4.2*	2.2	3.3*	1.7	2.7*	
0	—	—	4.8*	4.8*	3.9	8.0	2.6	4.9	1.9	3.5	1.4	2.6	1.1	2.0	1.0	1.9	7.3
	Blade	—	4.8*	4.8*	4.5	8.8*	2.9	5.9*	2.2	4.2*	1.6	3.3*	1.2	2.7*	1.1	2.2*	
	Two-piece blade	—	4.8*	4.8*	4.6	8.8*	3.0	5.9*	2.2	4.2*	1.7	3.3*	1.3	2.7*	1.2	2.2*	
	Outriggers	—	4.8*	4.8*	4.5	8.8*	3.0	5.9*	2.2	4.2*	1.6	3.3*	1.2	2.7*	1.1	2.2*	
	Two-piece blade Outriggers	Blade Blade			4.8*	4.8*	6.1	8.8*	3.9	5.9*	2.8	4.2*	2.1	3.3*	1.6	2.7*	
-1.0	—	—	6.5*	6.5*	3.8	8.0	2.5	4.8	1.8	3.4	1.3	2.5			1.1	2.0	6.9
	Blade	—	6.5*	6.5*	4.4	9.9*	2.9	6.0*	2.1	4.3*	1.6	3.3*			1.2	2.2*	
	Two-piece blade	—	6.5*	6.5*	4.6	9.9*	3.0	6.0*	2.2	4.3*	1.6	3.3*			1.3	2.2*	
	Outriggers	—	6.5*	6.5*	4.4	9.9*	2.9	6.0*	2.1	4.3*	1.6	3.3*			1.2	2.2*	
	Two-piece blade Outriggers	Blade Blade			6.5*	6.5*	6.0	9.9*	3.8	6.0*	2.8	4.3*	2.1	3.3*	1.7	2.2*	
-2.0	—	—	7.8	8.3*	3.8	8.0	2.5	4.8	1.8	3.3	1.3	2.5			1.2	2.0*	6.3
	Blade	—	8.3*	8.3*	4.4	9.8*	2.9	6.1*	2.0	4.2*	1.5	2.6*			1.4	2.0*	
	Two-piece blade	—	8.3*	8.3*	4.6	9.8*	3.0	6.1*	2.1	4.2*	1.6	2.6*			1.5	2.0*	
	Outriggers	—	8.3*	8.3*	4.5	9.8*	2.9	6.1*	2.0	4.2*	1.5	2.6*			1.4	2.0*	
	Two-piece blade Outriggers	Blade Blade			8.3*	8.3*	6.1	9.8*	3.8	6.1*	2.7	4.2*	2.0	2.6*	1.9	2.0*	
-3.0	—	—	8.1	9.1*	3.9	7.6*	2.5	4.5*							1.8	2.7*	4.9
	Blade	—	9.1*	9.1*	4.5	7.6*	2.8	4.5*							2.1	2.7*	
	Two-piece blade	—	9.1*	9.1*	4.6	7.6*	2.9	4.5*							2.2	2.7*	
	Outriggers	—	9.1*	9.1*	4.5	7.6*	2.8	4.5*							2.1	2.7*	
	Two-piece blade Outriggers	Blade Blade			9.1*	9.1*	6.1	7.6*	3.8	4.5*					2.7*	2.7*	

 **Height**  **Can be slewed through 360°**  **In longitudinal position of undercarriage**  **Max. reach** * Limited by hydr. capacity

The lift capacities on the load lift hook of the Liebherr quick coupler SWA 33 without attachment are stated in metric tons (t) and are valid on a firm, level supporting surface with blocked oscillating axle. These capacities can be slewed through 360° with the undercarriage in the transverse position. Capacities in the longitudinal position of the undercarriage (+/- 15°) are specified over the steering axle with the stabilizers raised and over the rigid axle with the stabilizers down. The values apply when the adjusting cylinder is in the optimal position. Indicated loads based on the ISO 10567 standard and do not exceed 75 % of tipping or 87 % of hydraulic capacity, or are limited by the permissible load of the load lift hook on the quick coupler (max. 5 t). Without the quick coupler, lift capacities will increase by up to 110 kg.

In accordance with the harmonised European Standard EN 474-5, hydraulic excavators used for lifting operations must be equipped with pipe fracture safety valves, an overload warning device, a load lift hook and a lift capacity chart.

Lift Capacities

with Two-Piece Boom 4.25 m

Stick 2.05 m

m	Undercarriage stabilized		2.0 m		3.0 m		4.0 m		5.0 m		6.0 m		7.0 m		m	
	rear	front														
7.0	—	—							2.2	2.3*					2.0	2.0*
	Blade	—							2.3*	2.3*					2.0*	2.0*
	Two-piece blade	—							2.3*	2.3*					2.0*	2.0*
	Outriggers	—							2.3*	2.3*					2.0*	2.0*
	Two-piece blade Outriggers	Blade Blade							2.3*	2.3*					2.0*	2.0*
6.0	—	—							2.2	2.4*	1.6	2.1*			1.4	1.7*
	Blade	—							2.4*	2.4*	1.8	2.1*			1.6	1.7*
	Two-piece blade	—							2.4*	2.4*	1.9	2.1*			1.7	1.7*
	Outriggers	—							2.4*	2.4*	1.8	2.1*			1.6	1.7*
	Two-piece blade Outriggers	Blade Blade							2.4*	2.4*	2.1*	2.1*			1.7*	1.7*
5.0	—	—							2.2	2.5*	1.6	2.5*			1.2	1.6*
	Blade	—							2.5	2.5*	1.8	2.5*			1.3	1.6*
	Two-piece blade	—							2.5*	2.5*	1.9	2.5*			1.4	1.6*
	Outriggers	—							2.5	2.5*	1.9	2.5*			1.3	1.6*
	Two-piece blade Outriggers	Blade Blade							2.5*	2.5*	2.3	2.5*			1.6*	1.6*
4.0	—	—					2.6*	2.6*	2.2	2.8*	1.6	2.7*	1.2	2.1	1.0	1.6*
	Blade	—					2.6*	2.6*	2.4	2.8*	1.8	2.7*	1.4	2.3*	1.2	1.6*
	Two-piece blade	—					2.6*	2.6*	2.5	2.8*	1.9	2.7*	1.4	2.3*	1.2	1.6*
	Outriggers	—					2.6*	2.6*	2.4	2.8*	1.9	2.7*	1.4	2.3*	1.2	1.6*
	Two-piece blade Outriggers	Blade Blade					2.6*	2.6*	2.8*	2.8*	2.3	2.7*	1.8	2.3*	1.6	1.6*
3.0	—	—			4.5	6.0*	2.9	4.6*	2.1	3.5*	1.6	2.7	1.2	2.1	0.9	1.6*
	Blade	—			5.1	6.0*	3.3	4.6*	2.4	3.5*	1.8	2.9*	1.3	2.5*	1.1	1.6*
	Two-piece blade	—			5.3	6.0*	3.4	4.6*	2.4	3.5*	1.9	2.9*	1.4	2.5*	1.1	1.6*
	Outriggers	—			5.1	6.0*	3.3	4.6*	2.4	3.5*	1.8	2.9*	1.4	2.5*	1.1	1.6*
	Two-piece blade Outriggers	Blade Blade			6.0*	6.0*	4.1	4.6*	3.0	3.5*	2.3	2.9*	1.8	2.5*	1.5	1.6*
2.0	—	—	3.8*	3.8*	4.4	6.6*	2.9	4.9	2.1	3.5	1.6	2.7	1.1	2.1	0.9	1.7*
	Blade	—	3.8*	3.8*	5.0	6.6*	3.2	5.5*	2.3	3.9*	1.8	3.1*	1.3	2.6*	1.0	1.7*
	Two-piece blade	—	3.8*	3.8*	5.1	6.6*	3.3	5.5*	2.4	3.9*	1.8	3.1*	1.4	2.6*	1.1	1.7*
	Outriggers	—	3.8*	3.8*	5.0	6.6*	3.2	5.5*	2.4	3.9*	1.8	3.1*	1.3	2.6*	1.1	1.7*
	Two-piece blade Outriggers	Blade Blade	3.8*	3.8*	6.4	6.6*	4.0	5.5*	2.9	3.9*	2.3	3.1*	1.7	2.6*	1.4	1.7*
1.0	—	—	3.1*	3.1*	4.1	7.4*	2.7	4.8	2.0	3.4	1.5	2.7	1.1	2.0	0.9	1.7
	Blade	—	3.1*	3.1*	4.8	7.4*	3.1	5.8*	2.3	4.2*	1.7	3.2*	1.3	2.7*	1.0	1.8*
	Two-piece blade	—	3.1*	3.1*	4.9	7.4*	3.2	5.8*	2.3	4.2*	1.8	3.2*	1.3	2.7*	1.1	1.8*
	Outriggers	—	3.1*	3.1*	4.8	7.4*	3.1	5.8*	2.3	4.2*	1.7	3.2*	1.3	2.7*	1.0	1.8*
	Two-piece blade Outriggers	Blade Blade	3.1*	3.1*	6.4	7.4*	4.0	5.8*	2.9	4.2*	2.2	3.2*	1.7	2.7*	1.4	1.8*
0	—	—	4.5*	4.5*	3.9	8.1	2.6	4.9	1.9	3.5	1.4	2.6	1.1	2.0	0.9	1.8
	Blade	—	4.5*	4.5*	4.5	8.7*	3.0	5.9*	2.1	4.2*	1.6	3.3*	1.2	2.7*	1.1	2.0*
	Two-piece blade	—	4.5*	4.5*	4.6	8.7*	3.0	5.9*	2.2	4.2*	1.7	3.3*	1.3	2.7*	1.1	2.0*
	Outriggers	—	4.5*	4.5*	4.5	8.7*	3.0	5.9*	2.2	4.2*	1.6	3.3*	1.2	2.7*	1.1	2.0*
	Two-piece blade Outriggers	Blade Blade	4.5*	4.5*	6.1	8.7*	3.9	5.9*	2.8	4.2*	2.1	3.3*	1.6	2.7*	1.5	2.0*
-1.0	—	—	6.1*	6.1*	3.8	7.9	2.5	4.8	1.8	3.4	1.3	2.5	1.0	2.0	1.0	1.9
	Blade	—	6.1*	6.1*	4.4	9.7*	2.9	6.0*	2.1	4.3*	1.5	3.3*	1.2	2.4*	1.2	2.2*
	Two-piece blade	—	6.1*	6.1*	4.5	9.7*	3.0	6.0*	2.2	4.3*	1.6	3.3*	1.3	2.4*	1.2	2.2*
	Outriggers	—	6.1*	6.1*	4.4	9.7*	2.9	6.0*	2.1	4.3*	1.6	3.3*	1.2	2.4*	1.2	2.2*
	Two-piece blade Outriggers	Blade Blade	6.1*	6.1*	6.0	9.7*	3.8	6.0*	2.7	4.3*	2.1	3.3*	1.6	2.4*	1.6	2.2*
-2.0	—	—	7.7*	7.7*	3.8	7.9	2.5	4.8	1.7	3.3	1.3	2.5			1.2	2.0*
	Blade	—	7.7*	7.7*	4.4	9.9*	2.8	6.1*	2.0	4.3*	1.5	2.9*			1.3	2.0*
	Two-piece blade	—	7.7*	7.7*	4.5	9.9*	2.9	6.1*	2.1	4.3*	1.6	2.9*			1.4	2.0*
	Outriggers	—	7.7*	7.7*	4.4	9.9*	2.8	6.1*	2.0	4.3*	1.5	2.9*			1.3	2.0*
	Two-piece blade Outriggers	Blade Blade	7.7*	7.7*	6.0	9.9*	3.8	6.1*	2.7	4.3*	2.0	2.9*			1.8	2.0*
-3.0	—	—	8.0	8.6*	3.8	8.0	2.4	4.7	1.7	3.0*					1.6	2.3*
	Blade	—	8.6*	8.6*	4.5	8.4*	2.8	5.0*	2.0	3.0*					1.8	2.3*
	Two-piece blade	—	8.6*	8.6*	4.6	8.4*	2.9	5.0*	2.1	3.0*					1.9	2.3*
	Outriggers	—	8.6*	8.6*	4.5	8.4*	2.8	5.0*	2.0	3.0*					1.8	2.3*
	Two-piece blade Outriggers	Blade Blade	8.6*	8.6*	6.1	8.4*	3.8	5.0*	2.7	3.0*					2.3*	2.3*

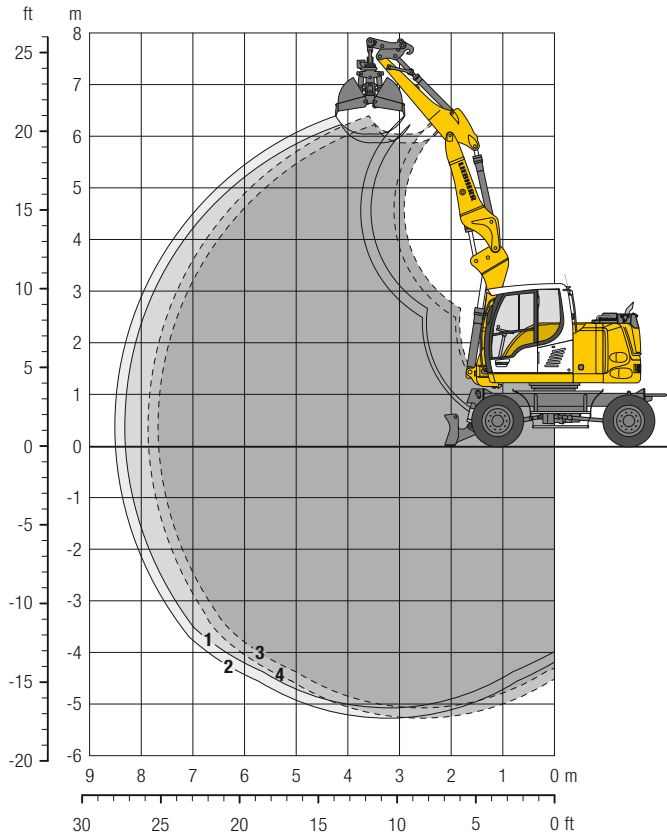
Height **Can be slewed through 360°** **In longitudinal position of undercarriage** **Max. reach** * Limited by hydr. capacity

The lift capacities on the load lift hook of the Liebherr quick coupler SWA 33 without attachment are stated in metric tons (t) and are valid on a firm, level supporting surface with blocked oscillating axle. These capacities can be slewed through 360° with the undercarriage in the transverse position. Capacities in the longitudinal position of the undercarriage (+/- 15°) are specified over the steering axle with the stabilizers raised and over the rigid axle with the stabilizers down. The values apply when the adjusting cylinder is in the optimal position. Indicated loads based on the ISO 10567 standard and do not exceed 75 % of tipping or 87 % of hydraulic capacity, or are limited by the permissible load of the load lift hook on the quick coupler (max. 5 t). Without the quick coupler, lift capacities will increase by up to 110 kg.

In accordance with the harmonised European Standard EN 474-5, hydraulic excavators used for lifting operations must be equipped with pipe fracture safety valves, an overload warning device, a load lift hook and a lift capacity chart.

Clamshell Grab

with Two-Piece Boom 4.25 m



Digging Envelope

with quick coupler	1	2
Stick length	m 1.85	2.05
Max. digging depth	m 5.05	5.25
Max. reach at ground level	m 8.30	8.50
Max. dumping height	m 5.85	6.00

3 with stick 1.85 m at max. equipment offset

4 with stick 2.05 m at max. equipment offset

Operating Weight

The operating weight includes the basic machine with 8 tyres plus intermediate rings, two-piece boom 4.25 m, stick 2.05 m, quick coupler SWA 33 and clamshell grab GM 5B/0.20 m³ (600 mm without ejector).

Undercarriage versions	Weight (kg)
A 912 Compact Litronic with rear blade	13,300
A 912 Compact Litronic with rear two-piece blade	13,700
A 912 Compact Litronic with rear outriggers	13,300
A 912 Compact Litronic with rear two-piece + front blade	14,400
A 912 Compact Litronic with rear outriggers + front blade	14,100

Clamshell Grab GM 5B Machine stability per ISO 10567* (75% of tipping capacity)

Width of clamshells mm	Capacity m ³	Weight kg	Stabilizers raised		Rear blade down		Rear two-piece blade down		Rear outriggers down		Rear two-piece + front blade down		Rear outriggers + front blade down	
			Stick length (m)		Stick length (m)		Stick length (m)		Stick length (m)		Stick length (m)		Stick length (m)	
			1.85	2.05	1.85	2.05	1.85	2.05	1.85	2.05	1.85	2.05	1.85	2.05
300 ¹⁾	0.10	410	■	■	■	■	■	■	■	■	■	■	■	■
400 ¹⁾	0.13	440	■	■	■	■	■	■	■	■	■	■	■	■
600 ¹⁾	0.20	470	■	■	■	■	■	■	■	■	■	■	■	■
800 ¹⁾	0.27	510	■	■	■	■	■	■	■	■	■	■	■	■
300 ²⁾	0.10	450	■	■	■	■	■	■	■	■	■	■	■	■
400 ²⁾	0.13	490	■	■	■	■	■	■	■	■	■	■	■	■

* Indicated loads are based on ISO 10567 and do not exceed 75% of tipping or 87% of hydraulic capacity, max. stick length without quick coupler, lifted 360° on firm with blocked oscillating axle

¹⁾ without ejector

²⁾ with ejector

Max. material weight ■ = ≤ 1.8 t/m³, ■ = ≤ 1.5 t/m³, △ = ≤ 1.2 t/m³, – = not authorised

Equipments

Ditch Cleaning Buckets

Ditch Cleaning Buckets Machine stability per ISO 10567* (75% of tipping capacity)

Cutting width mm	Capacity ISO 7451 ¹⁾ m ³	Weight kg	Stabilizers raised		Rear blade down		Rear two-piece blade down		Rear outriggers down		Rear two-piece + front blade down		Rear outriggers + front blade down	
			Stick length (m)		Stick length (m)		Stick length (m)		Stick length (m)		Stick length (m)		Stick length (m)	
			1.85	2.05	1.85	2.05	1.85	2.05	1.85	2.05	1.85	2.05	1.85	2.05
Two-piece boom 4.25 m														
1,200 ²⁾	0.29	340	■	■	■	■	■	■	■	■	■	■	■	■
1,300 ⁴⁾	0.28	300	■	■	■	■	■	■	■	■	■	■	■	■
1,500 ⁴⁾	0.33	330	■	■	■	■	■	■	■	■	■	■	■	■
1,500 ³⁾	0.33	210	■	■	■	■	■	■	■	■	■	■	■	■
1,500 ²⁾	0.36	420	■	■	■	■	■	■	■	■	■	■	■	■
1,700 ⁴⁾	0.37	390	■	■	■	■	■	■	■	■	■	■	■	■
1,700 ²⁾	0.41	455	■	■	■	■	■	■	■	■	■	■	■	■
2,000 ³⁾	0.45	270	■	■	■	■	■	■	■	■	■	■	■	■

* Indicated loads are based on ISO 10567 and do not exceed 75% of tipping or 87% of hydraulic capacity, max. stick length without quick coupler, lifted 360° on firm with blocked oscillating axle

¹⁾ comparable with SAE (heaped)

²⁾ with 2 x 50° rotator

³⁾ rigid ditch cleaning bucket

⁴⁾ with 2 x 45° rotator

Max. material weight ■ = ≤ 1.8 t/m³, ■ = ≤ 1.5 t/m³, △ = ≤ 1.2 t/m³, – = not authorised

Equipment

Undercarriage

Dual-circuit braking system	•
Rear stabilizer blade	+
4-wheel steering (front wheel steering, 4-wheel steering, crab steering)	+
Digging brake, automatic	+
Tyres (twin tyres) Liebherr EM 22 290/90-20 PR 18	+
Tyres (twin tyres) Mitas EM 22 9.00-20 PR 14	•
Individual control outriggers	+
Travel speed levels (four)	•
Rear two-piece stabilizer blade	+
Rear two-piece + front stabilizer blade	+
Load holding valve on each stabilization cylinder	•
Powershift transmission, semiautomatic	•
Rear outriggers	+
Rear outriggers + front stabilizer blade	+
Parking brake, maintenance-free	•
Tyres, variants	+
Protection for travel drive	+
Protection for piston rods, stabilizer cylinder	+
Speeder**	+
Storage compartment left – lockable	•
Storage compartment right – lockable	+
Tool equipment, extended	+

Uppercarriage

Uppercarriage rear light, 2 pieces, LED	+
Uppercarriage right side light, 1 piece, LED	+
Refuelling system with filling pump	+
Main battery switch for electrical system	•
Engine hood with gas spring	•
Amber beacon, at uppercarriage, LED double flash	+
Service doors, lockable	•

Hydraulic System

Shut-off valve between hydraulic tank and pump(s)	•
Pressure test fittings	•
Accumulator for controlled lowering of the equipment with the engine shut down	•
Hydraulic oil filter with integrated microfilter	•
Liebherr hydraulic oil from –20 °C to +40 °C	•
Liebherr hydraulic oil, biologically degradable	+
Liebherr hydraulic oil, specially for warm or cold regions	+
Bypass filter	+
Switchover high pressure circuit and tipping cylinder	+
Switchover high pressure circuit and two-piece boom	+

Diesel Engine

Deutz particle filter	•
Fuel anti-theft device	+
Air pre-filter with dust discharge	+
Automatic engine shut-down (time adjustable)	+
Preheating fuel*	+

Operator's Cab

4-points seat belt	+
Storage compartment	•
Cab lights rear, LED	+
Cab lights front, halogen (above rain cover)	+
Cab lights front, halogen (under rain cover)	•
Cab lights front, LED (above rain cover)	+
Cab lights front, LED (under rain cover)	+
Exterior mirror, electrical adjustable, with heating	+
Mechanical hour meters, readable from outside the cab	•
Roof window made from impact-resistant laminated safety glass	+
Slewing gear brake Comfort	+
Driver identification code	+
Operator's seat Standard	•
Operator's seat Comfort	+
Operator's seat Premium	+
Driving alarm (acoustic signal is emitted during travel, can be switched ON/OFF)	+
Fire extinguisher	+
Front screen made from impact-resistant laminated safety glass – not adjustable	+
Windscreen retractable (including upper part)	•
Cruise control	•
Handrest (elevation) for joystick	+
Joystick steering	+
Automatic air conditioning	+
Fuel consumption indicator	•
Electric cooler	+
Steering wheel, wide version (cost-neutral option)	+
Steering column adjustable horizontally	•
LiDAT, vehicle fleet management	•
Lightbar on cabin, with illuminated advertising space, width 1,000 mm *	+
Positioning swing brake	+
Proportional control	•
Radio Comfort, control via display with handsfree set	+
Preparation for radio installation	•
Rain cover over front window opening	•
ROPS cab protection	•
Back-up alarm (acoustic signal is emitted traveling backward, can not be switched off)	+
Amber beacon, on cabin, LED double flash	+
All tinted windows	•
Windscreen wiper, roof	+
Windshield wiper, entire windscreen	+
Door with sliding window	•
Slipcover for operator seat	+
Top guard	+
Right side window and windshield made from laminated safety glass	•
Sun visor	+
Sun blind	•
Auxiliary heating, adjustable (week time switch)	+
Left control console, folding	•
SuperFinish	+
First-aid box	+
Adjustment cylinder (proportional), foot pedal left	+
Warning triangle	+
Electronic immobilizer	+
Cigarette lighter	•

Equipment



Equipment

Boom lights, 2 pieces, halogen	•
Boom lights, 2 pieces, LED	+
Grab lines for stick with tipping kinematic	+
High pressure circuit incl. unpressurised return line and Tool Control	+
Electronic lift limitation	+
Load holding valve bucket cylinder	+
Load lug on stick	+
Leak oil line, additional for attachments	+
Liebherr ditch cleaning bucket	+
Liebherr quick coupler, hydraulic or mechanical	+
Liebherr backhoe bucket	+
Liebherr tooth system	+
Liebherr clamshell grab	+
Stick 1.85 m	+
Stick 2.05 m	+
Medium pressure circuit incl. lines	+
Pipe fracture safety valves hoist cylinders	•
Pipe fracture safety valve stick cylinder	•
Hose quick coupling at end of stick	•
Hose protection for LIKUFIX	+
Quick coupling system LIKUFIX	+
Protection for piston rod, adjusting cylinder	+
Protection for bottom side of stick	+
Signal contacts for LIKUFIX, 14-pin	+
Tool Control, 20 attachment adjustments selectable over the display	+
Overload warning device	•
Two-piece boom	•



Complete Machine

Lubrication	
Lubrication uppercarriage and equipment, manually – decentralised (grease points)	•
Lubrication undercarriage, manually – decentralised (grease points)	•
Central lubrication system for uppercarriage and equipment, automatically (without quick coupler and connecting link) *	+
Central lubrication system, extension for quick coupler	+
Central lubrication system, extension for connecting link	+
Special coating	
Custom painting for attachments	+
Special coating, variants	+
Monitoring	
Rear view monitoring with camera	•
Side view monitoring with camera	•

• = Standard, + = Option

* = country-dependent, ** = depending upon the country partially only 25 km/h permitted

Options and/or special equipments, supplied by vendors other than Liebherr, are only to be installed with the knowledge and approval of Liebherr in order to retain warranty.

Liebherr-Hydraulikbagger GmbH

Liebherrstraße 12, D-88457 Kirchdorf/Iller

☎ +49 7354 80-0, Fax +49 7354 80-7294

www.liebherr.com, E-Mail: info.lhb@liebherr.com

www.facebook.com/LiebherrConstruction